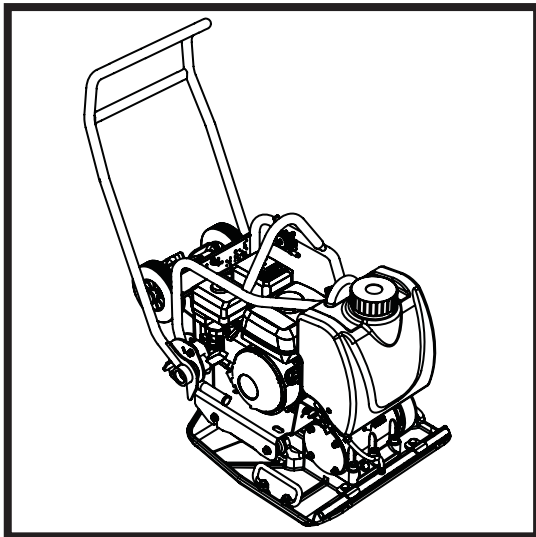




BELLE PCX 17/50A

870/10019/2
03/22



Ⓒ GB	Operators Manual	10
Ⓒ F	Manuel De L'Opérateur	18
Ⓒ E	Manual del Operador	26
Ⓒ NL	Handleiding	34
Ⓒ D	Bedienungshandbuch	42
Ⓒ I	Manuale Dell'Operatore	50

2

UKCA Declaration of Conformity

3 - 8

EC/EU Declaration of Conformity

Declaration Of Conformity (DOC)

We, **Altrad Belle, Sheen, Nr. Buxton, Derbyshire, SK17 0EU, GB** declare that the DoC is issued under our sole responsibility and belongs to the followings product(s):



PRODUCT TYPE

MODEL.....

SERIAL No.....

DATE OF MANUFACTURE

SOUND POWER LEVEL
MEASURED /
.....(GUARANTEED)

WEIGHT.....



Object of the Declaration:

Single-direction plate compactor used for soil compaction on new developments, repairs and maintenance jobs with large aggregates, cohesive material or moist content.

The object of the declaration described above is in conformity with the relevant **Statutory Requirements:**

- **2008 No. 1597** Supply of Machinery (Safety) Regulations 2008
- **2001 No. 1701** Noise Emission in the Environment by Equipment for use Outdoors Regulations 2001

The following designated standards and technical specifications have been applied:

- **EN ISO 12100:2010** Safety of machinery
- **EN 500-4:2011** Mobile road construction machinery. Safety.
- **ISO 3744:2010** Acoustics — Determination of sound power levels and sound energy levels of noise sources using sound pressure

ANP CERTIFICATION LTD. (Approved Body, number 8500) 2 Parkfield Street, Manchester, M14 4PN, UK carried out Internal Control of Production with Assessment of Technical Documentation and Periodical Checking as per Schedule 9 of SI 2001 1701

Technical Files are held by **Ray Neilson** at the Altrad Belle address stated above:-

Place of Declaration:-

Sheen,
Nr. Buxton,
Derbyshire,
SK17 0EU,
UK

Date of Declaration:-

February 2022

Signed by:

Ray Neilson

Managing Director
On behalf of Altrad Belle
Sheen, Derbyshire, UK

We, **Altrad Belle, Sheen, Nr. Buxton, Derbyshire, SK17 0EU, GB** declare that the DoC is issued under our sole responsibility and belongs to the followings product(s):



PRODUCT TYPE

MODEL.....

SERIAL No.....

DATE OF MANUFACTURE

SOUND POWER LEVEL
MEASURED /
.....(GUARANTEED)

WEIGHT.....



Object of the Declaration:

Single-direction plate compactor used for soil compaction on new developments, repairs and maintenance jobs with large aggregates, cohesive material or moist content.

The object of the declaration described above is in conformity with the relevant **Union Harmonisation Legislation:**

- **2006/42/EC** New machinery directive
- **2000/14/EC** Noise - equipment for use outdoors

The following harmonised standards and technical specifications have been applied:

- **EN ISO 12100:2010** Safety of machinery
- **EN 500-4:2011** Mobile road construction machinery. Safety.
- **ISO 3744:2010** Acoustics — Determination of sound power levels and sound energy levels of noise sources using sound pressure

VINÇOTTE nv/sa (NB0026) carried out Internal Control of Production with Assessment of Technical Documentation and Periodical Checking as per Annex VI of 2000/14/EC

Technical Files are held by **Hugues Menager** at the following address:-
Altrad (Group Holding), 125 Rue du Mas Carbonnier, 34000, Montpellier, France.

Place of Declaration:-

Sheen,
Nr. Buxton,
Derbyshire,
SK17 0EU,
UK

Date of Declaration:-

April 2021

Signed by:

Ray Neilson

Managing Director
On behalf of Altrad Belle
Sheen, Derbyshire, UK

Nous, **Altrad Belle, Sheen, Nr. Buxton, Derbyshire, SK17 0EU, GB** déclarons que la DdC est émise sous notre seule responsabilité et qu'elle appartient au(x) produit(s) suivants:



TYPE DE PRODUIT.....

MODÈLE

No DE SÉRIE.....

DATE DE FABRICATION.....

NIVEAU DE PUISSANCE ACOUSTIQUE

MESURÉ /

.....(GARANTI)

POIDS

Voir page 3
pour cette information

Objet de la déclaration:

Single-direction plate compactor used for soil compaction on new developments, repairs and maintenance jobs with large aggregates, cohesive material or moist content.

L'objet de la déclaration décrite ci-dessus est conforme à la **législation de l'Union européenne en matière d'harmonisation**:

- **2006/42/EC** Directive relative aux machines
- **2000/14/EC** Émissions sonores - matériels utilisés à l'extérieur

Les normes et les spécifications techniques harmonisées suivantes ont été appliquées:

- **EN ISO 12100:2010** Sécurité des machines
- **EN 500-4:2011** Machines mobiles de construction de routes. Sécurité.
- **ISO 3744:2010** Acoustique - Détermination des niveaux de puissance acoustique et des niveaux d'énergie acoustique des sources de bruit à l'aide de la pression acoustique

VINÇOTTE nv/sa (NB0026) a effectué un contrôle interne de la production avec évaluation de la documentation technique et vérification périodique conformément à l'annexe VI de la directive 2000/14/CE

Les dossiers techniques sont détenus par **Hugues Menager** à l'adresse suivante:-
Altrad (Group Holding), 125 Rue du Mas Carbonnier, 34000, Montpellier, France.

Lieu de la déclaration:-

Sheen,
Nr. Buxton,
Derbyshire,
SK17 0EU,
UK

Signée par:

Ray Neilson

Directeur Général
Au nom de Altrad Belle
Sheen, Derbyshire, R.-U.

Date de la déclaration:-

Avril 2021

Nosotros, Altrad Belle, Nr. Buxton, Derbyshire, SK17 0EU, Gran Bretaña, declaramos que la DDC se emite bajo nuestra responsabilidad exclusiva y concierne a los siguientes productos:



TIPO DE PRODUCTO.....

MODELO.....

NÚMERO DE SERIE.....

FECHA DE FABRICACIÓN

NIVEL DE POTENCIA ACÚSTICA

MEDIDO /

.....(GARANTIZADO)

PESO

Ver página 3
para esta información

Objeto de la declaración:

Compactador de placa unidireccional utilizado para la compactación del suelo en nuevos desarrollos, reparaciones y trabajos de mantenimiento con áridos grandes, material cohesivo o contenido húmedo.

El objeto de la declaración antes descrita está conforme a la **Legislación sobre armonización de la Unión** relevantes:

- **2006/42/EC** Nueva directiva relativa a las máquinas
- **2000/14/EC** Emisiones sonoras - máquinas de uso al aire libre

Las siguientes normas armonizadas y especificaciones técnicas han sido aplicadas:

- **EN ISO 12100:2010** Seguridad de la maquinaria
- **EN 500-4:2011** Maquinaria de construcción de carreteras móviles. Seguridad.
- **ISO 3744:2010** Acústica: determinación de los niveles de potencia acústica y energía acústica niveles de fuentes de ruido usando presión sonora

VINÇOTTE nv/sa (NB0026) realizó un control interno de producción con evaluación de documentación técnica y verificación periódica de conformidad con el anexo VI de 2000/14/CE

Los archivos técnicos están en poder de **Hugues Menager** en la siguiente dirección:-
Altrad (Group Holding), 125 Rue du Mas Carbonnier, 34000, Montpellier, Francia.

Lugar de la Declaración:-

Sheen,
Nr. Buxton,
Derbyshire,
SK17 0EU,
UK

Firmado por:

Ray Neilson

Fecha de la Declaración:-

Abril 2021

Director General
Por Altrad Belle
Sheen, Derbyshire, Reino Unido

Wij, **Altrad Belle, Sheen, Nr. Buxton, Derbyshire, SK17 0EU, GB** verklaren dat de verklaring van overeenstemming uitsluitend onder onze verantwoordelijkheid is opgesteld en bij de volgende product(en) behoort:



PRODUCTTYPE

MODEL

SERIENR.

FABRICATIEDATUM

GEMETEN
GELUIDSVERMOGENNIVEAU /
..... (GEGARANDEERD)

GEWICHT.....

Zie pagina 3
voor deze informatie

Voorwerp van de Verklaring:

Eenrichtingsplaatverdichter gebruikt voor bodemverdichting bij nieuwe ontwikkelingen, reparaties en onderhoudswerkzaamheden met grote aggregaten, samenhangend materiaal of vochtige inhoud.

Het voorwerp van de hierboven beschreven verklaring is conform met de relevante harmonisatiewetgeving van de Unie:

- **2006/42/EG** Nieuwe Machinerichtlijn
- **2000/14/EG** Geluid - materieel voor gebruik buitenshuis

De volgende geharmoniseerde normen en technische specificaties werden toegepast:

- **EN ISO 12100:2010** Veiligheid van machines
- **EN 500-4:2011** Mobiele wegebouwmachines. Veiligheid.
- **ISO 3744:2010** Akoestiek - Bepaling van geluidsvermogensniveaus en geluidsenergie niveaus van geluidsbronnen die geluidsdruk gebruiken

VINÇOTTE nv/sa (NB0026) voerde de interne productiecontrole uit, met een beoordeling van de Technische Documentatie en een periodieke controle, volgens Bijlage VI van 2000/14/EG

De technische documentatie wordt bijgehouden door **Hugues Menager** op het volgende adres:
Altrad (Group Holding), 125 rue du Mas Carbonnier, 34000, Montpellier, Frankrijk.

Plaats van de verklaring:-

Sheen,
Nr. Buxton,
Derbyshire,
SK17 0EU,
UK

Ondertekend door:

Ray Neilson

Datum van de verklaring:-

April 2021

Directeur
Namens Altrad Belle
Sheen, Derbyshire, VK

Wir, Altrad Belle, Sheen, Nr. Buxton, Derbyshire, SK17 0EU, GB erklären, dass vorliegende Konformitätserklärung unter unserer alleinigen Verantwortung ausgestellt wurde und sich auf folgende(s) Produkt(e) bezieht:



PRODUKTTYP.....

MODELL

SERIENNUMMER

HERSTELLUNGSDATUM

SCHALLLEISTUNGSPEGEL

GEMESSEN /

..... (GARANTIERT)

GEWICHT.....

Siehe Seite 3
für diese Informationen

Gegenstand der Erklärung:

Einrichtungs-Plattenverdichter zur Bodenverdichtung bei Neuentwicklungen, Reparaturen und Wartungsarbeiten mit großen Zuschlagstoffen, kohäsivem Material oder feuchtem Inhalt.

Gegenstand der oben beschriebenen Erklärung ist die Konformität mit den einschlägigen Harmonisierungsrechtsvorschriften der Union:

- **2006/42/EG** Neue Maschinenrichtlinie
- **2000/14/EG** Lärm - Geräte und Maschinen zur Verwendung im Freien

Die folgenden harmonisierten Normen und technischen Spezifikationen wurden angewandt:

- **EN ISO 12100:2010** Sicherheit von Maschinen
- **EN 500-4:2011** Mobile Straßenbaumaschinen. Sicherheit.
- **ISO 3744:2010** Akustik - Bestimmung von Schallleistungspegeln und Schallenergiepegel der Geräuschquellen unter Verwendung des Schalldrucks

VINÇOTTE nv/sa (NB0026) hat die interne Fertigungskontrolle mit Bewertung der technischen Dokumentation und periodischer Prüfung gemäß Anhang VI der Richtlinie 2000/14/EG durchgeführt.

Die technischen Unterlagen werden von **Hugues Menager** unter folgender Adresse aufbewahrt: - **Altrad (Group Holding)**, 125 Rue du Mas Carbonnier, 34000, Montpellier, Frankreich.

Ort der Erklärung:-

Sheen,
Nr. Buxton,
Derbyshire,
SK17 0EU,
UK

Unterzeichnet von:

Ray Neilson

Datum der Erklärung:-

April 2021

Geschäftsführender Direktor
Im Namen von Altrad Belle
Sheen, Derbyshire, Großbritannien

Noi, **Altrad Belle, Sheen, Nr. Buxton, Derbyshire, SK17 0EU, GB** dichiariamo che la DoC è rilasciata sotto la nostra esclusiva responsabilità e appartiene ai seguenti prodotti:



TIPO PRODOTTO.....

MODELLO.....

N. DI SERIE

DATA DI PRODUZIONE.....

LIVELLO DI POTENZA SONORA
MISURATO.....

.....(GARANTITO)

PESO

Vedere pagina 3
per queste informazioni

Oggetto della dichiarazione:

Compattatore a piastra unidirezionale utilizzato per la compattazione del suolo su nuovi sviluppi, riparazioni e lavori di manutenzione con inerti di grandi dimensioni, materiale coesivo o contenuto umido.

L'oggetto della dichiarazione sopra descritta è conforme alla **legislazione di armonizzazione dell'Unione** pertinente:

- **2006/42/EC** Nuova direttiva macchine
- **2000/14/EC** rumore - attrezzature destinate a funzionare all'aperto

Sono state applicate le seguenti norme armonizzate e specifiche tecniche:

- **EN ISO 12100:2010** Sicurezza dei macchinari
- **EN 500-4:2011** Macchine mobili per costruzioni stradali. Sicurezza.
- **ISO 3744:2010** Acustica - Determinazione dei livelli di potenza sonora e dell'energia sonora
livelli di sorgenti di rumore che utilizzano la pressione sonora

VINÇOTTE nv/sa (NB0026) ha effettuato il Controllo Interno di Produzione con Valutazione della Documentazione Tecnica e Controllo Periodico come da Allegato VI della 2000/14/CE

"I file tecnici sono conservati da **Hugues Menager** al seguente indirizzo:-
Altrad (Group Holding), 125 Rue du Mas Carbonnier, 34000, Montpellier, Francia.

Luogo della dichiarazione:-

Sheen,
Nr. Buxton,
Derbyshire,
SK17 0EU,
UK

Firmato da:

Ray Neilson

Data della dichiarazione:-

April 2021

Consigliere Delegato
Per conto di Altrad Belle
Sheen, Derbyshire, Regno Unito



How To Use This Manual

This manual has been written to help you operate and service the 'PCX 17/50A' Plate compactor safely. This manual is intended for dealers and operators of the 'PCX 17/50A' Plate compactor .

Foreword

The '**Machine Description**' section helps you to familiarise yourself with the machine's layout and controls.

The '**Environment**' section gives instructions on how to handle the recycling of discarded apparatus in an environmentally friendly way.

The '**General Safety**' and '**Health and Safety**' sections explain how to use the machine to ensure your safety and the safety of the general public.

The '**Operating Instructions**' section helps you with the setting up and use of the machine.


The '**Trouble Shooting Guide**' helps you if you have a problem with your machine.

The '**Service & Maintenance**' section is to help you with the general maintenance and servicing of your machine.

The '**Warranty**' Section details the nature of the warranty cover and the claims procedure.

Directives with regard to the notations.


Text in this manual to which special attention must be paid are shown in the following way:

 **CAUTION** *The product can be at risk. The machine or yourself can be damaged or injured if procedures are not carried out in the correct way.*

 **WARNING** *The life of the operator can be at risk.*



WARNING

 **WARNING** *Before you operate or carry out any maintenance on this machine **YOU MUST READ and STUDY** this manual.*

KNOW how to safely use the unit's controls and what you must do for safe maintenance. (NB Be sure that you know how to switch the machine off before you switch on, in case you get into difficulty.)

ALWAYS wear or use the proper safety items required for your personal protection. If you have **ANY QUESTIONS** about the safe use or maintenance of this unit, ASK YOUR SUPERVISOR OR CONTACT: **Altrad Belle (UK): +44 (0) 1298 84606**

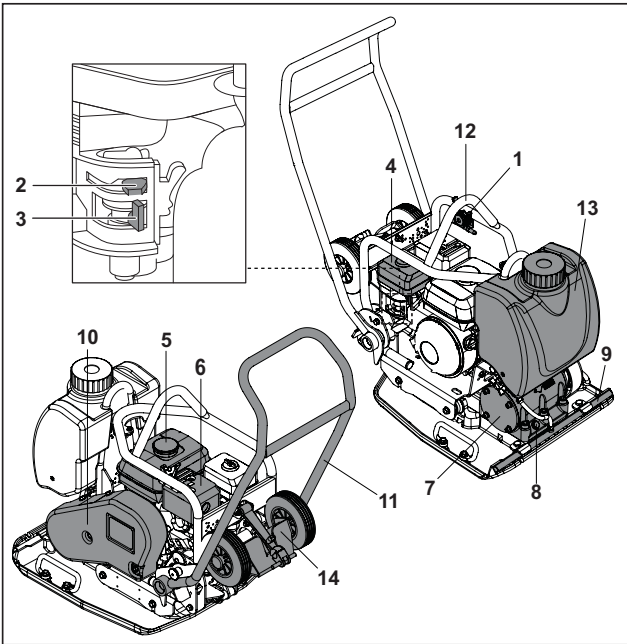


Contents

How to use this manual.....	10
Warning	10
Machine Description.....	11
Technical Data.....	11
Decals.....	12
Environment	13
Reasons For compaction	13
Safety Instructions.....	13
Health and Safety.....	14
Pre-Start Checks.....	14
Operating Instructions	14 - 15
Trouble Shooting Guide	15
Service & Maintenance	16
Replacement Parts.....	16
Fitting Instructions	17
Warranty	17
UKCA Declaration of Conformity.....	2
EC/EU Declaration of Conformity.....	3

Altrad Belle reserves the right to change machine specification without prior notice or obligation.

Machine Description



1. Throttle Lever,
2. Choke Lever,
3. Fuel ON/OFF Lever,
4. Air Filter Housing,
5. Fuel Tank,
6. Exhaust,
7. Vibrator Unit,
8. Vibrator Oil Check Plug,
9. Attach Point For Water Spray Bar,
10. Belt Guard,
11. Control Handle,
12. Lifting Frame,
13. Water Tank,
14. Transporter Attachment

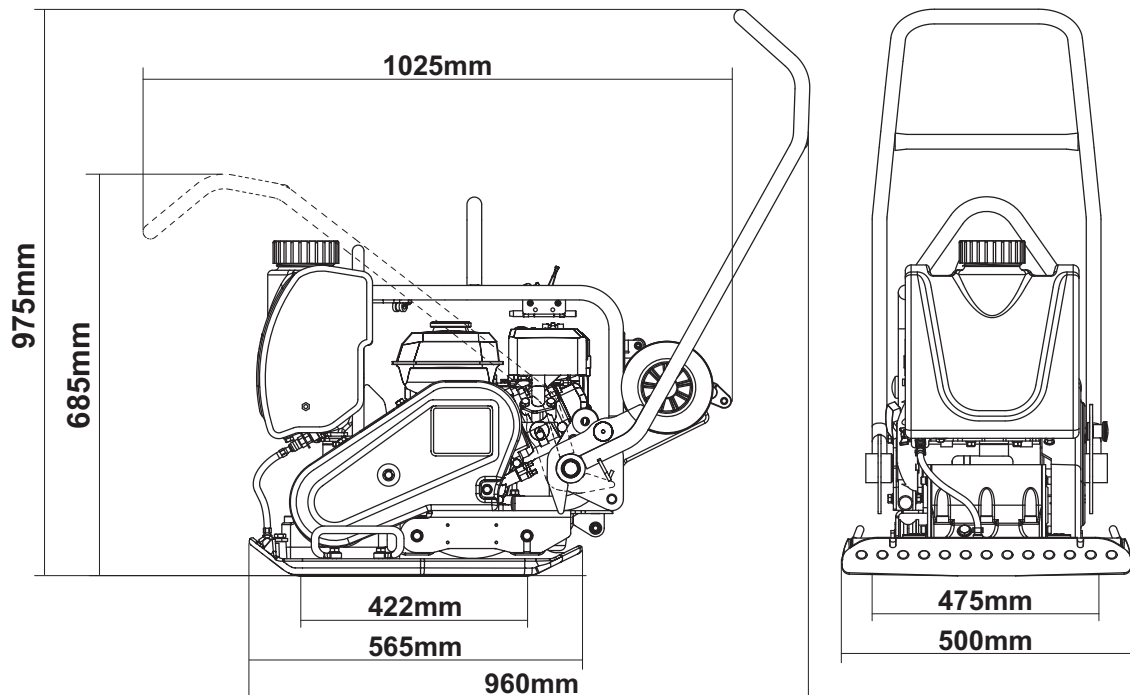
Technical Data



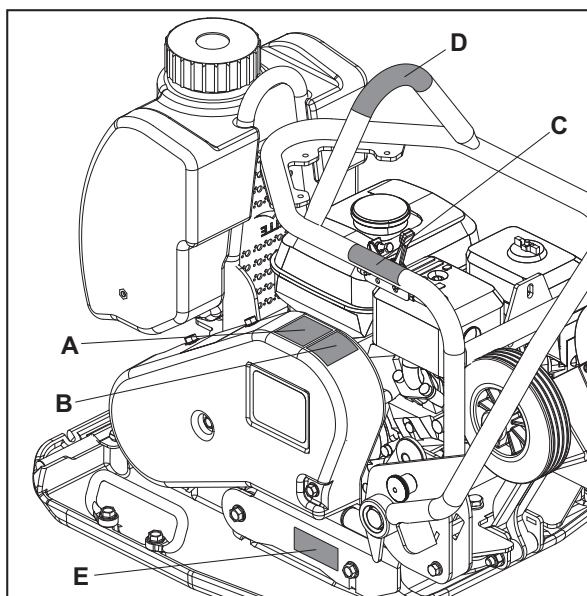
Model	Honda GX120	Honda GX160
Engine Model	Honda GX120	Honda GX160
Engine Power (Hp/kW)	4.0/3.0 @ 3800rpm	5.5/4.4 @ 3800rpm
* Weight (kg)	89	90
Vibrator Force (kN)	15	15
Frequency (Hz)	85	85
Maximum Travel Speed (m/min)	24	24
Compaction Force (kg/m ²)	485	485
** 3 Axis Vibration (m/sec ²)	2.7	2.7
Sound Power Level (dB(A))	105	105

* Weight includes Water Kit and Transporter Attachment. (Items 13 and 14 of Machine Description)

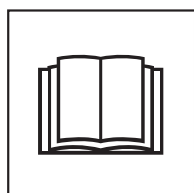
** Minimum level to EN500 Part 4.



- A. Safety Decal
- B. Noise Decal
- C. Engine RPM Decal
- D. Lifting Point Decal
- E. Wheel Kit Fitment Decal



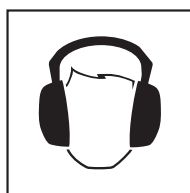
A - Safety Decal (Part No. 19.0.373)



**Please Read
Operators Manual**



**Wear Protective
Footwear**



**Wear Ear
Protection**

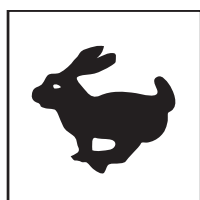


**Wear Eye
Protection**

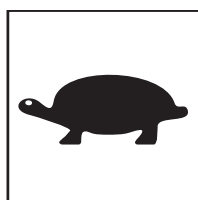
B - Noise Decal (800/99951)

The Noise Level of the machine during operation is 105 dB(A)

C - Engine RPM Decal

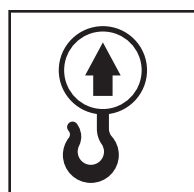


**Fast Engine Speed
Position**



**Slow Engine Speed
Position**

D - Lifting Point Decal (800/99986)



Lifting Point

E - Wheel Kit Fitment Decal (800/99420)

Please see the Fitting Instructions section of this website for explanation.

Environment



Safe Disposal.



Instructions for the protection of the environment. The machine contains valuable materials. Take the discarded apparatus and accessories to the relevant recycling facilities.

Component	Material
Operator Handle	Steel
Baseplate	Steel
Eccentric Weights	Steel
Vibrator Housing	Aluminium
Petrol Engine Housing	Aluminium
Petrol Engine Covers	Synthetic Material
Various Parts	Steel & Aluminium

Reasons For Compaction



Soil, which has been disturbed or new infill, subbase and blacktop, will have small voids or air pockets which, if not compacted, will lead to one or more problems occurring.

1. As traffic crosses the surface of an uncompacted area, the material is compressed. This leads to subsidence of the top surface as the material fills the voids.
2. A similar situation occurs with static loads on uncompacted ground. The load (e.g. a building) will sink.
3. Materials with voids are more susceptible to water seepage, leading to erosion. Water ingress may also cause the soil to expand during freezing temperatures and contract during dry spells. Expansion and contraction is a major cause of damage to building foundations and normally leads to the structure requiring underpinning.

Compaction increases the density of the material and therefore increases its load bearing capacity. Reduces air voids and therefore reduces the risk of subsidence, expansion and contraction, due to ingress of water.

Safety Instructions



For your own personal protection and for the safety of those around you, please read and ensure you fully understand the following safety information. It is the responsibility of the operator to ensure that he/she fully understands how to operate this equipment safely. If you are unsure about the safe and correct use of the 'PCX 17/50A' Plate compactor, consult your supervisor or Altrad Belle.



CAUTION

Improper maintenance can be hazardous. Read and Understand this section before you perform any maintenance, service or repairs.

- This equipment is heavy and must not be lifted single-handedly, either **GET HELP** or use suitable lifting equipment.
- Cordon off the work area and keep members of the public and unauthorized personnel at a safe distance.
- Personal Protective Equipment (PPE) must be worn by the operator whenever this equipment is being used (see Health & Safety).
- Make sure you know how to safely switch this machine **OFF** before you switch it **ON** in case you get into difficulty.
- Always switch **OFF** the engine before transporting, moving it around the site or servicing it.
- During use the engine becomes very hot, allow the engine to cool before touching it. Never leave the engine running and unattended.
- Never remove or tamper with any guards fitted, they are there for your protection. Always check guards for condition and security, if any are damaged or missing, **DO NOT USE THE MACHINE** until the guard has been replaced or repaired.
- **DO NOT USE THE MACHINE** when you are ill, feeling tired, or when under the influence of alcohol or drugs.



CAUTION

Fuel is flammable. It may cause injury and property damage. Shut down the engine, extinguish all open flames and do not smoke while filling the fuel tank. Always wipe up any spilled fuel.

Fuel Safety.

- Before refuelling, switch off the engine and allow it to cool.
- When refuelling, **DO NOT** smoke or allow naked flames in the area.
- Spilt fuel must be made safe immediately, using sand. If fuel is spilt on your clothes, change them.
- Store fuel in an approved, purpose made container away from heat and ignition sources.



Health & Safety

Vibration

Some vibration from the trowelling operation is transmitted through the handle to the operator's hands. Refer to specifications & technical data for vibration levels and usage times (recommended maximum daily exposure time). **DO NOT** exceed the maximum usage times.

PPE (Personal Protective Equipment).

Suitable PPE must be worn when using this equipment i.e. Safety Goggles, Gloves, Ear Defenders, Dust Mask and Steel Toe capped footwear (with anti-slip soles for added protection). Wear clothing suitable for the work you are doing. Always protect skin from contact with concrete.

Dust.

The compaction process can produce dust, which may be hazardous to your health. Always wear a mask that is suited to the type of dust being produced.

Fuel.

Do not ingest fuel or inhale fuel vapors and avoid contact with your skin. Wash fuel splashes immediately. If you get fuel in your eyes, irrigate with copious amounts of water and seek medical attention as soon as possible.

Exhaust Fumes.

Do not operate your 'PCX 17/50A' indoors or in a confined space, make sure the work area is adequately ventilated.



WARNING

The exhaust fumes produced by this equipment are highly toxic and can kill!



Pre-start Checks

Pre start-up inspection.

The following Pre-start-up inspection must be performed before the start of each work session or after every four hours of use, whichever is first. Please refer to the service section for detailed guidance. If any fault is discovered, the 'PCX 17/50A' must not be used until the fault is rectified.

1. Thoroughly inspect the 'PCX 17/50A' for signs of damage. Make sure that the belt guard is secure before using the machine.
2. Check hoses, filler openings, drain plugs and any other areas for signs of leakage. Fix any leaks before operating.
3. Check the engine oil level and top up as necessary.
4. Check the engine fuel level and top up as necessary.
5. Check for fuel and oil leaks.



Operating Instructions

• Take the compactor to where it is required.

Where it is necessary to use lifting equipment to position the 'PCX 17/50A', make sure the lifting equipment has a WLL (Working Load Limit) suitable for the 'PCX 17/50A's' weight (see Technical Data section or machine serial plate). Attach suitable chains or slings **ONLY** to the lifting point on the top of the 'PCX 17/50A'.

• NEVER leave the engine running whilst transporting or moving the 'PCX 17/50A', even if it is only a short distance.

• Having carried out the checks listed in the 'pre start' section, you may start the engine.

The Altrad Belle 'PCX 17/50A' range of compactors are fitted with a centrifugal clutch, this allows the engine to run at idle without driving the vibrator. As the engine speed is increased the clutch will engage and will drive the vibrator. For correct operation, the engine speed should be set to maximum.

• Set the throttle to maximum and use the control handle to steer or turn the 'PCX 17/50A'.

The vibrator will not only cause the baseplate to vibrate but will also cause it to travel forward. During normal operation you should not have to push the 'PCX 17/50A' but allow it to travel at its own pace. The speed of travel will be determined by the condition of the surface being compacted. If the surface to be compacted is on a slope, great care must be taken when controlling the 'PCX 17/50A's' direction of travel. If necessary, use a suitable rope attached to the 'PCX 17/50A' at a low point on the chassis, to allow a helper to take part of the 'PCX 17/50A's' weight. Work up and down a slope not across.

• Work the 'PCX 17/50A' over the surface in an organized pattern until the required compaction has been achieved.

Where there are a number of different layers to be compacted on top of each other, compact each layer individually.

Operating Instructions

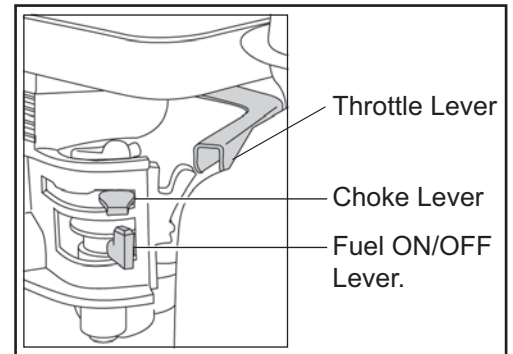


WARNING

Before you operate or carry out any maintenance on this machine **YOU MUST READ and STUDY** this manual.

Honda GX120 & GX160

1. Open the fuel tap by moving the fuel ON / OFF lever fully to the right.
2. If starting the engine from cold, set the choke ON by moving the choke lever fully to the left. If restarting a warm engine, the choke is usually not required, however, if the engine has cooled to a degree, partial choke may be required.
3. Turn the engine ON / OFF switch clockwise to the 'I' position.
4. Set the throttle to the idle position by moving the throttle lever fully to the right. Do not start the engine on full throttle, as the compactor will vibrate as soon as the engine starts.
5. Taking a firm hold of the control handle with one hand, grasp the recoil starter handle with the other. Pull the recoil starter until engine resistance is felt, then let starter return.
6. Taking care not to pull the starter's rope fully out, pull the starter handle briskly.
7. Repeat until the engine fires.
8. Once the engine fires gradually set the choke lever to the OFF position by moving it to the right.
9. If the engine fails to fire after several attempts, follow the Troubleshooting Guide.
10. To stop the engine, set the throttle to idle and turn the engine ON / OFF switch anticlockwise to the '0' position.
11. Turn the fuel off.



Troubleshooting Guide



Problem	Cause	Remedy
Engine will not start.	No fuel.	Open fuel tap. Fill fuel tank.
	Engine switched off.	Switch engine on.
	Spark plug fouled.	Clean and reset plug gap.
	Engine cold.	Close choke.
	Engine flooded.	Honda, open choke, fully open throttle, pull recoil starter until engine fires.
Engine still will not start.	Major Fault	Contact Agent or Altrad Belle.
Unit will not vibrate.	Engine speed too slow.	Set engine speed control to fast.
	Drive belt tension loose.	Adjust belt tension.
	Air filter blocked	Clean or renew air filter.
	Drive failure.	Contact Agent or Altrad Belle.
	Vibrator failure.	Contact Agent or Altrad Belle.
Asphalt adhering to plate.	Lack of lubrication.	Use a water spray system.
Bituminous surface flaking (laminating).	Over compaction.	Remove and relay.
Low travel speed (plate sinking).	Layer thickness too deep.	Remove some of the material.
	Moisture content too high or too low.	Remove material and adjust.



Service & Maintenance

Maintenance

The Altrad Belle 'PCX 17/50A' range is designed to give many years of trouble free operation. It is recommended that an approved Altrad Belle dealer carries out all major maintenance and repairs. Always use genuine Altrad Belle replacement parts, the use of spurious parts may void your warranty.

Before any maintenance is carried out on the machine, switch off the engine and disconnect the HT lead from the sparkplug.

Always set the 'PCX 17/50A' on level ground to ensure any fluid levels will be correctly read. Only use recommended oils (see chart below).

Running In Period

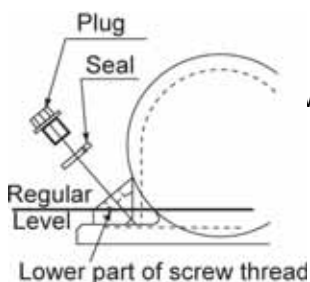
When the 'PCX 17/50A' is first used from new, the engine oil must be changed after the initial running in period (see engine manual for full detail). The vibrator shaft case oil must be replaced after the first 100 hours use, then after every 500 working hours. For detail on vibrator shaft case oil replacement, see 'Vibrator unit'.

The belt tension should be checked after 4 hours use.

Routine Maintenance		First 4 Hours	First Month / 20 Hours	3 Months / 50 Hours	6 Months / 100 Hours
Engine Oil	Check Level	✓			
	Change		✓		✓
Air Filter	Check Condition / Clean		✓		✓
	Replace when necessary / Every 12 months				
Spark Plug	Change				✓
Drive Belt	Tension	✓	✓	✓	

Oil / Fuel Type & Quantity - Spark Plug Type

	Oil Type	Quantity (Litre)	Fuel Type	Capacity (Litre)	Spark Plug Type	Electrode Gap (mm)
Petrol Honda GX120	S.A.E. 10W 30	0.6	Unleaded	2.5	BM6ES or BPR6ES	0.7 - 0.8
Petrol Honda GX160	S.A.E. 10W 30	0.6	Unleaded	3.6	BM6ES or BPR6ES	0.6 - 0.7
Vibrator	S.A.E. 10W 40	0.3	N/A	N/A	N/A	N/A



with seal, check that the oil level reaches the bottom thread on the oil plug hole. Top up as necessary with



Replacement Parts

When maintaining this product only the manufacturers original, genuine replacement parts may be used.

The user will lose any possible claims if replacement parts used are other than the makers original replacement parts.

Replacement parts for this product can be ordered online 24 hours a day, 7 days a week at www.Altrad-Belle247.com

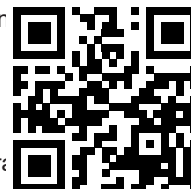
For more information regarding the availability of replacement parts for this product, please contact Altrad Belle using the contact details:-

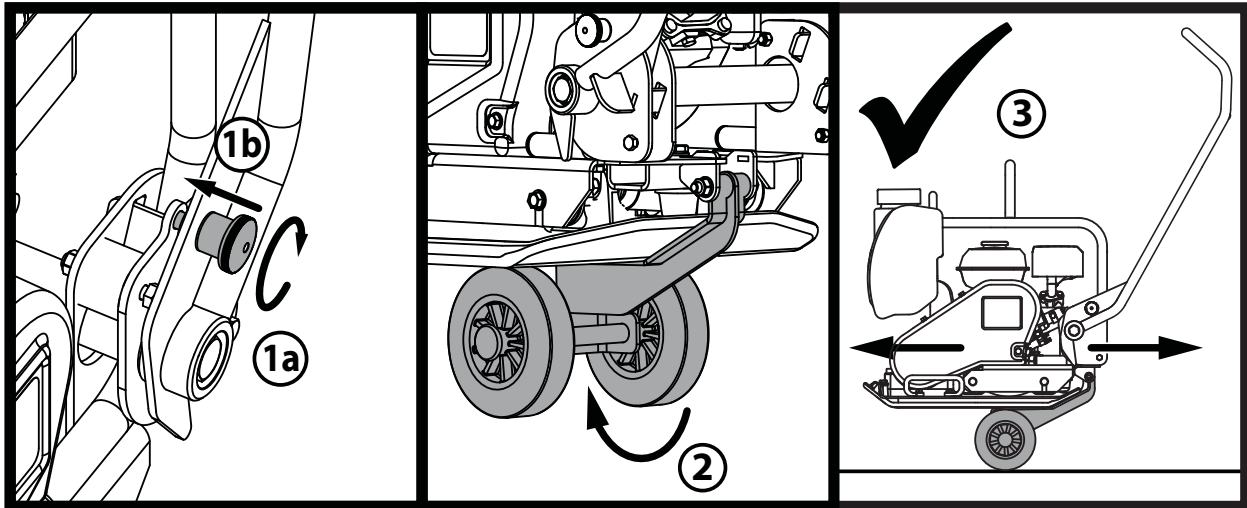
Tel:- +44 (0)1298 84606

Fax:- +44 (0)1298 84073

Email:- sales@altrad-belle.com

Alternatively, please scan the adjacent QR Code (Quick Response Code) using your smartphone to access the Altrad Belle website portal.





1. Twist the Handle Latch Knob to engage the Handle Latch and lock the Handle.
2. Once the Handle is locked into place, release the Wheel Kit and slide underneath the Baseplate.
3. With the Handle still locked into place, the machine is now ready to be transported using the Wheel kit.

Warranty

Your new Altrad Belle 'PCX 17/50A' Single Direction Plate Compactor is warranted to the original purchaser for a period of one-year (12 months) from the original date of purchase. The Altrad Belle warranty is against defects in design, materials and workmanship.

The following are not covered under the Altrad Belle warranty:

1. Damage caused by abuse, misuse, dropping or other similar damage caused by or as a result of failure to follow assembly, operation or user maintenance instructions.
2. Alterations, additions or repairs carried out by persons other than Altrad Belle or their recognised agents.
3. Transportation or shipment costs to and from Altrad Belle or their recognised agents, for repair or assessment against a warranty claim, on any machine.
4. Materials and/or labour costs to renew, repair or replace components due to fair wear and tear.

The following components are not covered by warranty.

- Drivebelt/s
- Engine air filter
- Engine spark plug

Altrad Belle and/or their recognised agents, directors, employees or insurers will not be held liable for consequential or other damages, losses or expenses in connection with or by reason of or the inability to use the machine for any purpose.

Warranty Claims

All warranty claims should firstly be directed to Altrad Belle, either by telephone, by Fax, by Email, or in writing.

For warranty claims:

Tel: +44 (0)1298 84606

Fax: +44 (0)1298 84073

Email : Warranty.dept@altrad-belle.com

Write to:

Altrad Belle Warranty Department,
Sheen, Nr. Buxton,
Derbyshire,
SK17 0EU
England.

Warranty Registration:

In the bid for ALTRAD Belle to become greener and more eco friendly, we have now introduced online Warranty registration. To access the registration page of our website, please use the following address:-

http://www.bellegroup.com/index.php?p=warranty_registration

Alternatively, please scan the adjacent QR Code (Quick Response Code) using your smartphone to access the registration page.



Ce manuel est rédigé pour vous aider à vous servir et à entretenir la plaque de compactage en toute sécurité. Il est destiné aux concessionnaires et aux opérateurs de la plaque de compactage.

Avant-propos

La section «**Description de l'appareil**» vous permettra de vous familiariser avec l'agencement et les commandes de l'appareil.

La section «**Environnement**» contient des instructions sur les méthodes de recyclage et d'élimination des appareils de recyclage et d'élimination des appareils dans le respect de l'environnement.

«**Santé et Sécurité**» expliquent la manière dont il faut utiliser l'appareil pour assurer votre sécurité et celle du public en général.

Le paragraphe «**Procédure de mise en route/Arrêt**» vous facilite la mise en route et l'utilisation de l'appareil.

La section «**Dépistage des anomalies**» vous donne des conseils en cas de problème concernant votre appareil.

La section «**Entretien et révision**» vous donne des conseils sur l'entretien général et les révisions de votre appareil.

La section «**Garantie**» donne des renseignements sur la couverture sous garantie et la méthode à suivre pour les réclamations sous garantie.

Renseignement concernant les notations utilisées dans ce manuel.

Dans ce manuel, il faut prêter une attention toute particulière au texte signalé comme suit :



ATTENTION

Produit à risque. Vous pouvez vous blesser ou la machine peut être endommagée si vous ne respectez pas la procédure d'utilisation à la lettre.



AVERTISSEMENT

Peut être dangereux pour l'utilisateur

AVERTISSEMENT



AVERTISSEMENT

Veillez lire et étudier ce manuel avant toute utilisation ou entretien de cet appareil.

SAVOIR utiliser les commandes de cet appareil et procéder à son entretien en toute sécurité.

(PS : Assurez-vous de savoir arrêter la machine avant de la démarrer au cas où vous auriez des problèmes).

TOUJOURS utiliser les éléments nécessaires à votre protection lors de l'utilisation de la machine.

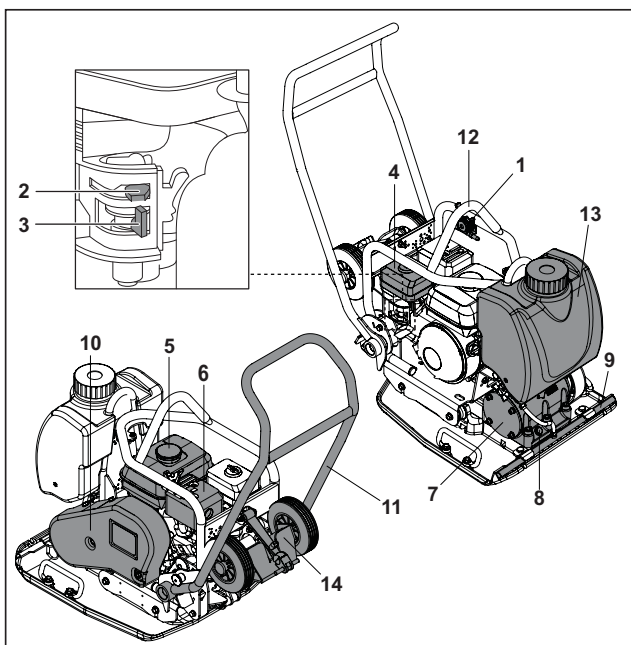
Pour TOUTES QUESTIONS relatives à l'entretien et l'utilisation en toute sécurité de cet appareil, DEMANDER CONSEIL A VOTRE DIRECTION OU CONTACTER Altrad Belle :+44(0) 1298 84606

Sommaire

Comment utiliser ce manuel.....	18
Avertissement.....	18
Description de l'appareil	19
Caractéristiques Techniques	19
Décalcomanie.....	20
Environnement	21
But du compactage.....	21
Consignes de sécurité générales	21
Santé et sécurité.....	22
Contrôles de sécurité préalables au démarrage.....	22
Instruction d'utilisation	22 - 23
Guide de dépistage des anomalies	23
Révision et maintenance	24
Pièces de rechange.....	24
Instructions de Montage	25
Garantie.....	25
Déclaration CE/UE de Conformité.....	4

Description de la Machine

F



1. Manette d'accélérateur,
2. Manette De Starter,
3. Fuel ON/OFF Lever,
4. Filtre à air,
5. Réservoir de carburant,
6. Echappement,
7. Unité de vibration,
8. Contrôle du niveau d'huile du vibreur,
9. Point d'accroche de la rampe d'arrosage,
10. Capot de courroie,
11. Timon,
12. Point de levage du châssis,
13. Réservoir d'eau,
14. Roues de transport

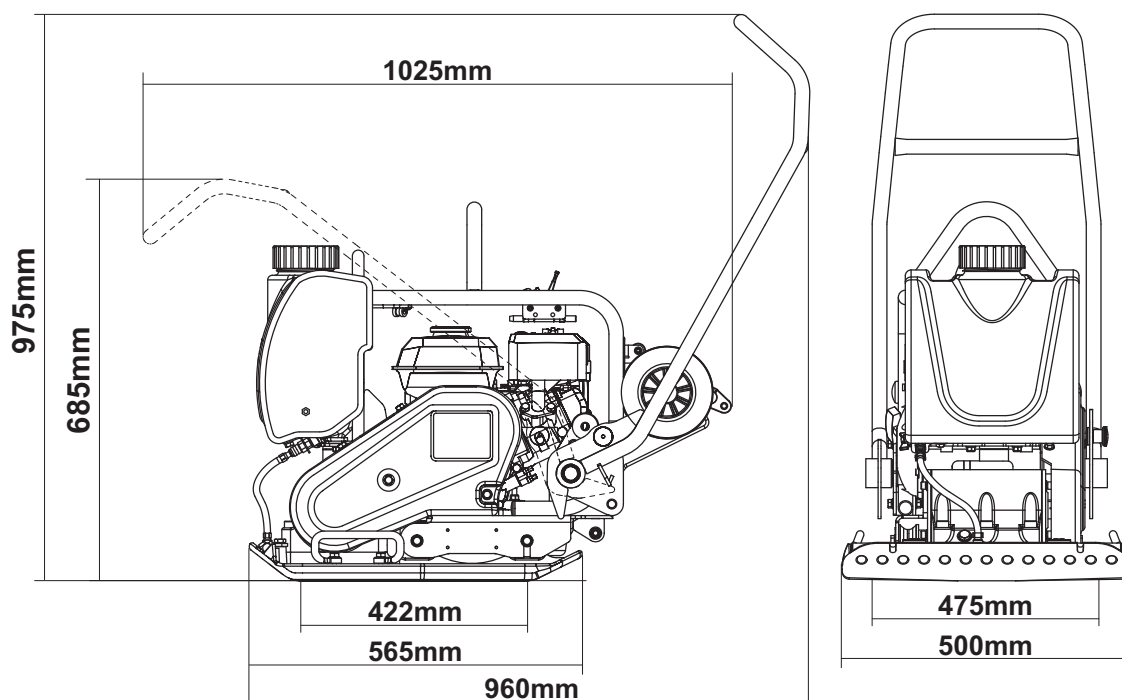
Caractéristiques Techniques

F

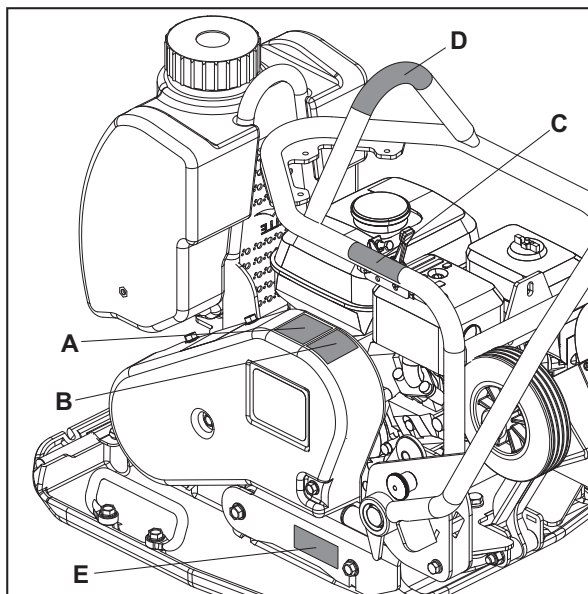
Modèle	Honda GX120	Honda GX160
Motor Modèle	Honda GX120	Honda GX160
Puissance moteur (Hp/kW)	4.0/3.0 @ 3800rpm	5.5/4.4 @ 3800rpm
* Poids (kg)	89	90
Force du vibreur (kN)	15	15
Fréquence (Hz)	85	85
Vitesse de déplacement Maximum (m/min)	24	24
Force de compaction (kg/m ²)	485	485
** Vibration sur 3 axes (m/sec ²)	2.7	2.7
Niveau de puissance sonore (dB(A))	105	105

* Le poids indiqué inclus le kit d'arrosage et les roues de transport (13 et 14 du schéma descriptif)

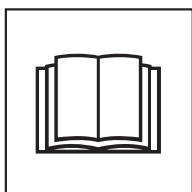
** Nivel mínimo a EN500, Parte 4.



- A. Décalcomanie Sécurité.
- B. Décalcomanie Bruit.
- C. Décalcomanie Régime Moteur.
- D. Décalcomanie Point de Levage.
- E. Décalcomanie Roue Kit Montage.



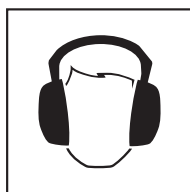
A - Décalcomanie Sécurité (Part No. 19.0.373)



**Veillez lire
le Manuel des
Opérateurs.**



**Portez des
Chaussures de
Protection.**



**Portez des
Protections pour
les Oreilles**

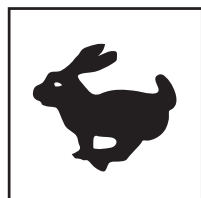


**Portez des
Protection pour
les Yeux**

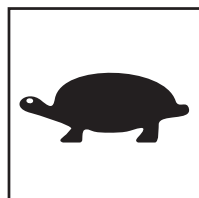
B - Décalcomanie Bruit (800/99951)

Le Niveau de Bruit de la machine lors du fonctionnement est de 105 dB(A).

C - Décalcomanie Régime Moteur

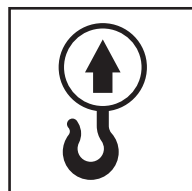


**Position Vitesse
Moteur Rapide.**



**Position Vitesse
Moteur Lente.**

D - Décalcomanie Point de Levage (800/99986)



Point de Levage

E - Décalcomanie Roue Kit Montage (800/99420)

S'il vous plaît voir la section «Instructions de Montage» de ce site pour une explication.

Respect de L'Environnement

F

Elimination en toute sécurité



Instruction pour le respect de l'environnement
Cet appareil contient des matériaux recyclables.
Pour vous débarrasser de l'appareil, prière
d'emmener l'appareil et les accessoires dans une
décharge de recyclage agréée.

Composant	Matériel
Poignée	Acier
Plaque d'embase	Acier
Poids Excentrique	Acier
Carters du Vibrateur	Aluminium
Carters du Moteur	Aluminium
Capot du Moteur	Matériel synthétique
Pièces Variées	Acier et aluminium

Buts de Compactage

F

Après perturbation du sol, ou dans le cas d'un remplissage, d'une couche inférieure de la chaussée ou d'un revêtement hydrocarboné récents, il y aura des petits vides interstitiels ou poches d'air qui risquent de provoquer des problèmes s'ils ne sont pas compactés.

1. Lorsque le trafic traverse une surface sur une partie du sol non compactée, le matériau se comprime, ce qui cause l'affaissement de la surface supérieure au fur et à mesure que le matériau remplit les cavités.
2. C'est ce qui se passe également lorsque des charges statiques s'exercent sur un sol non compacté. La charge (un bâtiment, par exemple) s'enfoncé.
3. Les matériaux présentant des vides sont très susceptibles aux infiltrations d'eau, ce qui entraîne des risques d'érosion. Les infiltrations d'eau peuvent également entraîner l'expansion du sol lorsqu'il gèle, ainsi que sa contraction pendant les périodes de sécheresse. En fait, l'expansion et la contraction du sol constituent les principales causes de dégâts des fondations des bâtiments. Il faut éventuellement reprendre la structure en sous-œuvre.

Le compactage augmente la densité du matériau et par conséquent, sa capacité porteuse. Il réduit les vides interstitiels et donc les risques d'affaissement, d'expansion et de contraction dus aux infiltrations d'eau.

Consignes de Sécurité

F

Pour votre protection personnelle et pour la sécurité des personnes qui se trouvent à proximité, prière de lire et de bien assimiler les consignes de sécurité suivante. Il incombe à l'opérateur de s'assurer qu'il a bien assimilé la manière d'utiliser cet équipement en toute sécurité. En cas de doute sur l'utilisation correcte en toute sécurité de la plaque de compactage PCX 17/50A, prière de consulter votre responsable ou Altrad Belle.



ATTENTION

Un entretien mal fait ou une utilisation incorrecte risque d'être dangereux(se). Lisez et assimilez les consignes de sécurité et les conseils d'utilisation avant d'effectuer des opérations d'entretien, de service ou des réparations.

- Ce matériel est lourd et ne doit pas être soulevé par une seule personne. **OBTENEZ DE L'AIDE** ou utilisez un équipement de levage approprié. Il existe un ensemble spécial pour le transport du compacteur (voir options).
- Balisez la zone de travail et éloignez les membres du public et tout le personnel non autorisé à une distance sûre.
- Il est impératif que l'opérateur porte un équipement de protection individuelle à chaque fois qu'il utilise cet appareil (voir "Santé et sécurité").
- Vérifiez que vous savez comment couper cet appareil avant de le mettre en marche, en cas de difficultés.
- Il faut toujours **COUPER** le moteur avant de le transporter, de le déplacer ou avant toute intervention.
- Le moteur peut devenir très chaud en cours d'usage. Attendez que le moteur soit refroidi avant de le toucher. Ne laissez jamais le moteur tourner sans surveillance.
- Il ne faut jamais retirer ni modifier les capots de protection installés. Ils sont prévus pour votre protection. Il faut toujours vérifier que les capots sont en bon état et sont bien fixés. Si l'un des capots est endommagé ou manquant, **IL NE FAUT PAS UTILISER LE COMPACTEUR** tant que le capot n'est pas remis en place ou réparé.
- **IL NE FAUT PAS UTILISER LE COMPACTEUR** si vous ne vous sentez pas bien, si vous êtes fatigué ou si vous avez abusé d'alcool ou de stupéfiants.

Consignes de sécurité concernant le carburant.



ATTENTION

Le carburant est inflammable. Il risque de causer des blessures et des dégâts. Coupez le moteur, éteignez toutes les flammes nues et ne fumez pas pendant le remplissage du réservoir de carburant. Essayez toujours tout carburant renversé.

- Avant de faire l'appoint de carburant, coupez le moteur et attendez qu'il ait refroidi.
- Pendant le remplissage, **IL NE FAUT** ni fumer ni autoriser les flammes nues dans cette zone.
- Il faut toujours sécuriser immédiatement avec du sable tout déversement de carburant. Si du carburant s'est renversé sur vos vêtements, il faut vous changer.
- Entrepochez le carburant dans un récipient prévu pour cela et agréé, à l'écart de la chaleur et de toutes sources de combustion.

Vibrations

Une partie des vibrations provoquées par le compactage est transmise par le guidon aux mains de l'opérateur. Reportez vous aux caractéristiques et aux spécifications pour établir le niveau des vibrations et des durées d'utilisation (durée d'exposition quotidienne maximale recommandée). IL NE FAUT PAS dépasser la durée d'utilisation maximale

EPI (Equipement de protection individuelle).

Lors de l'utilisation de cet appareil, il est impératif de porter un EPI approprié (ex. lunettes de protection, gants de protection, casque antibruit et chaussures à embout d'acier). Il faut porter des vêtements adaptés au travail. Attachez les cheveux longs pour les dégager et ne portez pas de bijoux susceptibles de s'accrocher aux pièces mobiles de l'appareil.

Poussière.

Le procédé de compactage produit éventuellement de la poussière qui risque d'être nocive pour la santé. Il faut toujours porter un masque approprié au type de poussière produite.

Carburant.

Il ne faut pas avaler ni inhaler les vapeurs de carburant, et il faut éviter tout contact avec la peau. Lavez immédiatement les éclaboussures de carburant. En cas d'éclaboussures de carburant dans les yeux, il faut les rincer à grande eau et consulter un médecin dès que possible.

Fumées d'échappement

Il ne faut pas faire fonctionner la plaque de compactage à l'intérieur ou dans un espace confiné. Veillez à travailler dans un local suffisamment ventilé.

**WARNING**

Les fumées d'échappement produites par cet équipement sont hautement toxiques et peuvent tuer!

Contrôles préalables au démarrage**Inspection préalable au démarrage**

Il faut effectuer l'inspection suivante préalable au démarrage avant le début de chaque séance de travail, ou toutes les quatre heures d'utilisation selon ce qui est échu en premier. Pour les instructions détaillées, veuillez vous reporter à la section « Révisions ». Si des défauts sont repérés, il ne faut pas utiliser la plaque de compactage tant que ce défaut n'a pas été rectifié.

1. Inspectez soigneusement la plaque de compactage pour déceler toutes traces de dégâts. Vérifiez que les composants sont tous présents et bien fixés. Faites particulièrement attention au capot et protection de la courroie d'entraînement située entre le moteur et le vibreur.
2. Vérifier les tuyauteries, les points de remplissage, bouchons de vidange et tout autres parties pour trouver un signe de fuite. Réparer toute fuite avant d'utiliser la machine.
3. Vérifier le niveau d'huile moteur et faites l'appoint, le cas échéant.
4. Vérifier le niveau de carburant du moteur et faites l'appoint, le cas échéant.
5. Vérifier qu'il n'y a pas de fuite de carburant ni d'huile.

Instructions D'Utilisation

- **Amenez la plaque de compactage sur le lieu où elle doit fonctionner.**
Dans les cas où il est nécessaire d'utiliser un équipement de levage positionner la PCX 17/50A, vérifiez que l'Équipement de levage correspond à un poids utile limite dans la fourchette du poids de la plaque de compactage (reportez vous au tableau des caractéristiques ou à la plaque signalétique de l'appareil). Attachez des chaînes ou des élingues UNIQUEMENT au point de levage situé au dessus de la PCX 17/50A.
- NE JAMAIS laisser le moteur tourner pendant le transport de la PCX 17/50A même si il s'agit d'une petite distance.
- Après avoir effectué les contrôles figurant à la section « Contrôle préalable au démarrage », vous pouvez mettre le moteur en route. Les plaques de compactage de la gamme PCX 17/50A Altrad Belle sont munies d'un embrayage centrifuge qui permet au moteur de tourner au ralenti sans entraîner la plaque vibrante. Lorsque la vitesse du moteur augmente, l'embrayage s'engage et entraîne la plaque vibrante. Pour obtenir un bon fonctionnement, il faut régler le régime du moteur à son maximum.
- **Régler le papillon au maximum et utilisez le levier de commande pour diriger ou faire virer la plaque de compactage.**
Le vibreur provoque non seulement des vibrations de la plaque d'embase, mais aussi l'avancement de l'appareil. En fonctionnement normal, vous n'avez pas à pousser la PCX 17/50A ; il suffit de la laisser se déplacer tout seul à son propre rythme. La vitesse de déplacement est déterminée par l'état de la surface à compacter. Si la surface à compacter est en pente, il faut agir avec beaucoup de précaution pour bien contrôler le sens de déplacement de la PCX 17/50A. Vous pouvez le cas échéant, utiliser une corde appropriée attachée à un point abaissé du châssis afin de permettre à une autre personne de reprendre une partie du poids de la PCX 17/50A. Pour faire un travail en pente, montez et descendez la pente, mais ne travaillez pas en travers.
- **Faites passer la plaque de compactage sur toute la surface selon le schéma logique jusqu'à obtention du compactage requis.**
S'il faut compacter plusieurs couches différentes, l'une au-dessus de l'autre, compactez chaque couche séparément

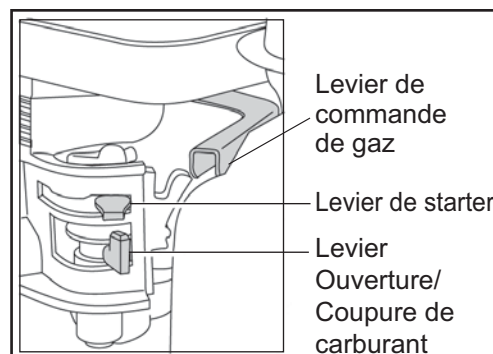


AVERTISSEMENT

Veillez lire et étudier ce manuel avant toute utilisation ou entretien de cet appareil.

Honda GX120 & GX160

1. Pour ouvrir le robinet d'essence, déplacez le levier Ouverture / Coupure de carburant à fond vers la droite.
2. Si le moteur démarre à froid, mettez le starter en amenant le levier de starter à fond vers la gauche. Si le moteur redémarre à chaud, il n'est généralement pas nécessaire d'introduire le starter, mais si le moteur s'est refroidi dans une certaine mesure, il peut s'avérer nécessaire de mettre partiellement le starter.
3. Tournez le bouton MARCHE / ARRET du moteur dans le sens des aiguilles d'une montre pour l'amener à la position «I».
4. Pour mettre le papillon à la position de ralenti, déplacez le levier de papillon à fond vers la droite. Ne faites pas démarrer le moteur à pleins gaz sinon la plaque de compactage risque de vibrer dès que le moteur démarre.
5. Prenez fermement la manette de commande d'une main et saisissez la manette du démarreur à rappel de l'autre. Tirez le démarreur à rappel jusqu'à ce que vous ressentiez une résistance du moteur, puis laissez le démarreur revenir en place.
6. En faisant attention à ne pas tirer complètement le cordon du démarreur, tirez vivement la manette du démarreur.
7. Recommencez cette manœuvre à plusieurs reprises jusqu'à ce que le moteur tourne.
8. Dès que le moteur tourne, mettez progressivement le levier de starter à la position COUPEE en le déplaçant vers la droite.
9. Si, au bout de plusieurs tentatives, le moteur ne tourne toujours pas, reportez-vous au guide de dépiage des anomalies.
10. Pour couper le moteur, mettez le papillon à la position de ralenti et tournez le bouton MARCHE/ ARRET du moteur dans le sens contraire des aiguilles d'une montre jusqu'à la position «0».
11. Coupez l'arrivée du carburant.



Guide de dépiage des anomalies

Problème	Cause	Action
Le moteur ne démarre pas.	Pas de carburant.	Ouvrir le robinet de carburant. Remplir le réservoir de carburant.
	Moteur coupé.	Mettre le contact.
	Bougie encrassée.	Nettoyer, puis régler l'entrefer de la bougie.
	Moteur froid.	Fermer le starter.
	Moteur noyé.	Honda, ouvrir le starter, pleins gaz, tirer le démarreur à rappel jusqu'au lancement du moteur.
Le moteur ne démarre toujours pas.	Défaut Majeur	Contacteur le technicien de service local.
Pas de vibrations.	Régime du moteur trop bas.	Régler le régulateur du régime du moteur sur rapide.
	Courroie d'entraînement détendue.	Régler la tension de la courroie.
	Filtre à air colmaté.	Nettoyer ou remplacer le filtre à air.
	Panne d'entraînement	Contacteur le technicien de service local.
	Panne du vibreur.	Contacteur le technicien de service local.
Asphalte adhère à la plaque.	Manque de lubrification.	Utiliser le système d'arrosage à l'eau.
Ecaillage de la surface bitumineuse (feuilletage).	Surcompactage.	La retirer et la reposer.
Faible vitesse d'avancement (enfouissement de plaque)	Epaisseur de couche trop grande.	Retirer une partie du matériau.
	Teneur en humidité trop haute ou trop faible.	Retirer le matériau et ajuster la teneur.

La gamme PCX 17/50A des plaques Altrad Belle est conçue pour donner de nombreuses années de services sans problèmes. Il est recommandé de s'adresser à un concessionnaire agréé Altrad Belle pour effectuer toutes les opérations d'entretien importantes et toutes les réparations éventuelles. Il faut toujours utiliser des pièces d'origine Altrad Belle. L'utilisation de pièces de marque autre que la marque Altrad Belle risque d'annuler votre garantie.

Avant d'effectuer des opérations d'entretien sur l'appareil et coupez le moteur, débranchez le fil HT de la bougie.

Il faut placer le compacteur sur un sol plat et horizontal afin d'obtenir une lecture exacte des niveaux des liquides. Utilisez uniquement les huiles préconisées (voir le tableau ci-dessous).

Rodage

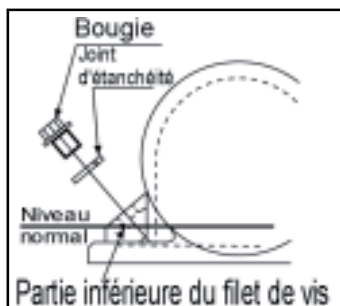
Lorsqu'un compacteur neuf est utilisé pour la première fois, il faut vidanger l'huile moteur après la période de rodage initiale (pour de plus amples renseignements, voir manuel du moteur). Il faut vidanger l'huile du carter de l'axe du vibrateur au bout des premières 100 heures de fonctionnement, puis toutes les 500 heures de fonctionnement par la suite. Pour des renseignements sur la vidange de l'huile du carter du vibrateur, reportez vous à la section « Vibrateur ».

Il faut vérifier la tension de la courroie toutes les 4 heures d'utilisation.

Fréquence d'entretien		Premier 4 Heures	Premier Mois / 20 Heures	3 Mois / 50 Heures	6 Mois / 100 Heures
Huile Moteur	Vérifier le niveau	✓			
	Vidanger		✓		✓
Filtre à air	Vérifier l'état / Nettoyer		✓		✓
	Les remplacer, selon les besoins / toutes les 12 mois				
Bougie	Vidanger				✓
Courroie d'entraînement	Tension	✓	✓	✓	

Type et quantité d'huile/de carburant - Type de bougie

	Type d'huile	Quantité (Litres)	Type de Carburant	Capacité (Litres)	Type de Bougie	Entrefer d'électrode (mm)
Moteur à essence Honda GX120	S.A.E. 10W 30	0.6	Sans Plomb	2.5	BM6ES ou BPR6ES	0.7 - 0.8
Moteur à essence Honda GX160	S.A.E. 10W 30	0.6	Sans Plomb	3.6	BM6ES ou BPR6ES	0.6 - 0.7
Vibrator	S.A.E. 10W 40	0.3	N/A	N/A	N/A	N/A



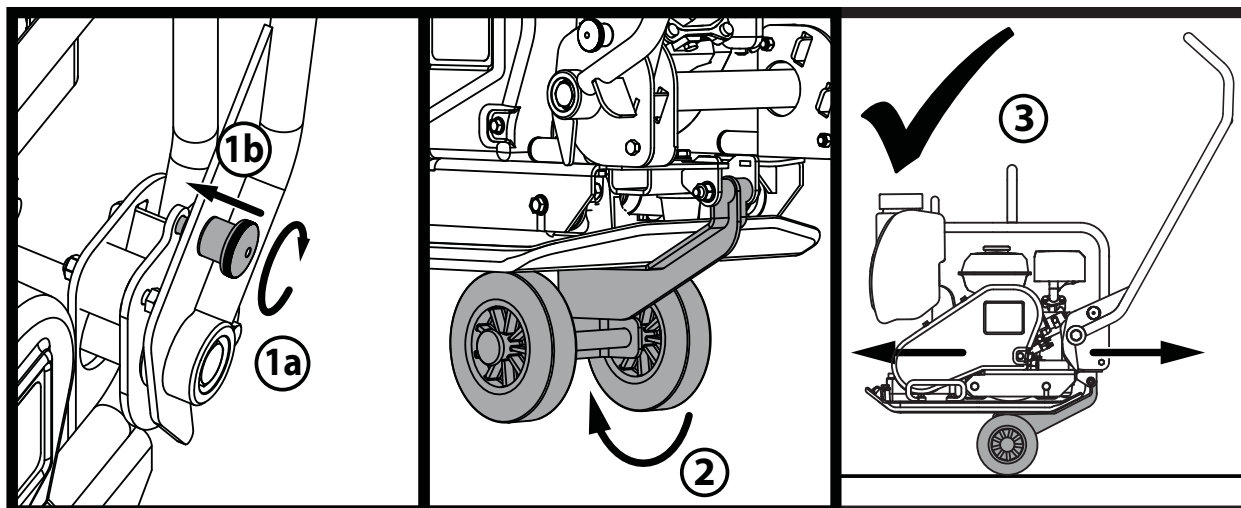
Unité de vibration.

Faites l'appoint d'huile préconisée, e cas échéant (voir tableau).

Lors de l'entretien de ce produit, seules les pièces de rechange d'origine du fabricant peuvent être utilisées.

L'utilisateur perdra toute réclamation éventuelle si les pièces de rechange utilisées sont autres que les pièces de rechange d'origine du fabricant.

Vous trouverez un PDF des listes de pièces pour ce produit dans la section « produit » de notre site web www.Altrad-Belle.com
Des informations sur l'approvisionnement en pièces de rechange auprès de votre revendeur local peuvent être trouvées dans la section « contactez-nous »



1. Tourner la poignée Bouton du Loquet pour engager le verrou de la poignée et verrouillez la poignée.
2. Une fois que la poignée est bien verrouillée en place, relâchez le kit de roue et glissez sous la plaque de base.
3. Avec la poignée reste verrouillé en place, la machine est maintenant prêt à être transporté en utilisant le kit de roue.

Garantie

La plaque de compactage unidirectionnelle PCX 17/50A neuve de Altrad Belle est garantie à l'acquéreur d'origine un an (12 mois) à partir de la date originale de l'achat. La garantie Altrad Belle s'applique à tous défauts de matériaux ou à un vice de conception ou de fabrication.

La garantie Altrad Belle ne couvre pas ce qui suit :

1. Dégâts causés par un usage abusif, négligent, une chute ou tous autres dégâts similaires causés par le non-respect des instructions concernant l'assemblage, l'utilisation ou les opérations d'entretien à effectuer par l'utilisateur, ou résultant de celle-ci.
2. Toutes modifications, additions ou réparations effectuées par des personnes autres que les responsables de Altrad Belle ou ses agents agréés.
3. Les frais de transport ou d'expédition pour retourner l'appareil à Altrad Belle, ou ses agents agréés, et le renvoyer, en vue de le faire réparer ou évaluer après revendication sous garantie.
4. Les coûts des matériaux et/ou de la main-d'œuvre requis pour remplacer, réparer ou renouveler les composants en raison d'une usure raisonnable.

Sont exclus de la garantie les composants suivants :

- Courroie(s) d'entraînement
- Filtre à air de moteur
- Bougie de moteur

Altrad Belle et/ou ses agents agréés, directeurs, employés ou assureurs ne sont pas tenus responsables de tous dégâts consécutifs ou autres, pertes ou dépenses encourus en relation avec l'utilisation de l'appareil, ou l'incapacité d'utiliser l'appareil dans un but quel qu'il soit.

Réclamations sous garantie

Il faut tout d'abord adresser toutes réclamations sous garantie à Altrad Belle par téléphone, fax, e-mail ou par courrier.

Pour les revendications sous garantie:

Tél : +44(0)1298 84606

Fax : +44(0)1298 84073

Email : Warranty.dept@altrad-belle.com

Prière d'écrire à:

Altrad Belle Warranty Department,
Sheen, Nr. Buxton
Derbyshire
SK17 0EU
England.
Angleterre

Service d'enregistrement de garantie

Dans notre démarche pour devenir plus vert et plus respectueux de l'environnement, Altrad Belle a introduit un service d'enregistrement de garantie en ligne. Pour accéder à la page d'inscription sur notre site internet, veuillez utiliser l'adresse suivante:

http://www.bellegroup.com/index.php?p=warranty_registration

Sinon vous pouvez également scanner à l'aide de votre smartphone le code QR adjacent pour accéder à la page d'inscription.



El objeto de este manual es ayudarle a operar y a reparar la apisonadora de plato con la mayor seguridad posible. Este manual está destinado para el uso de comerciantes y operadores de apisonadoras de plato.

Prólogo

La sección “**Descripción de la máquina**” le permitirá familiarizarse con la disposición y los comandos de la máquina.

La sección dedicada al “**Medioambiente**” comprende instrucciones sobre el reciclado de aparatos descartados, con el fin de proteger el entorno.

Las secciones de “**Seguridad General**” y de “**Sanidad y Seguridad**” explican como debe usarse la máquina para asegurar tanto la seguridad del operador como la del público en general.

El “**Procedimiento de Arranque y Parada**” le enseña como arrancar y parar la máquina.

La sección de “**Resolución de Problemas**” le ayudará a resolver los problemas que surjan con la máquina.

La sección de “**Revisión**” le proporcionará ayuda en el mantenimiento general y en los trabajos de revisión de la máquina.

La sección de “**Garantía**” da detalles del tipo de garantía y le indica el procedimiento para presentar reclamaciones.

El “**certificado de C.E.**” indica las normativas que satisface la máquina.

Directivas relativas a las notas.

El texto de este manual al que se debe prestar atención especial está indicado de la siguiente manera:



ATENCIÓN

El producto puede representar un riesgo. El incumplimiento de los procedimientos indicados podrá dañar la máquina o lesionar al operador.



AVISO

La vida del operador corre riesgo.



AVISO



AVISO

*Antes de operar o de realizar ningún trabajo de mantenimiento en esta máquina **SE DEBE LEER y ESTUDIAR** este manual.*

APRENDA a emplear con seguridad los comandos de esta unidad y lo que se debe hacer para lograr un mantenimiento seguro.

(NOTA: Aprenda bien a desconectar la máquina antes de conectarla, en caso de que surjan dificultades.)

Lleve o use **SIEMPRE** los equipos de protección personal necesarios.

En caso de **DUDAS** sobre el uso o mantenimiento seguros de la máquina, CONSULTE CON SU SUPERVISOR O LLAME AL Altrad Belle (+44 (0)1298 84606)

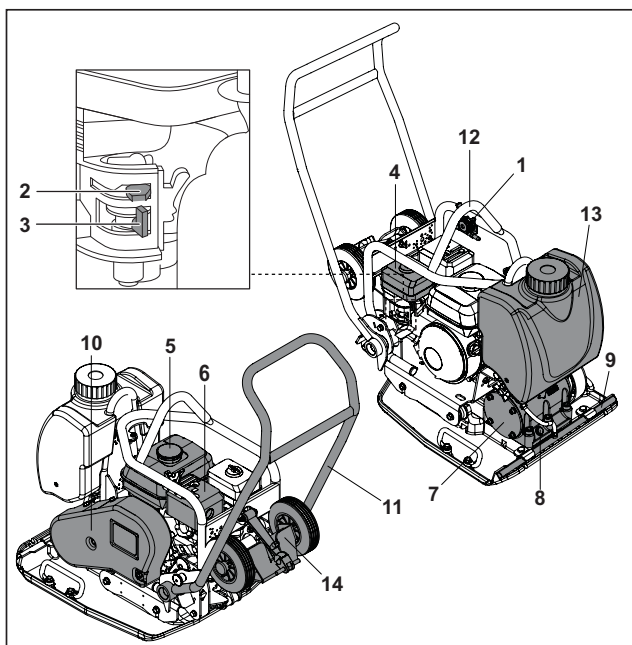


Indice

Uso de este manual	26
AVISO	26
Descripción de la máquina	27
Datos técnicos	27
Calcomanías.....	28
Medioambiente	29
Razones que motivan la compactación	29
Seguridad General	29
Sanidad y Seguridad	30
Chequeos antes del arranque	30
Funcionamiento de la apisonadora	30 - 31
Resolución de problemas	31
Servicio	32
Piezas de repuesto.....	32
Instrucciones de Montaje	33
Garantía	33
Declaración CE/UE de Conformidad.....	5

Descripción de la máquina

E



1. Palanca de aceleración,
2. Colador de combustible,
3. Palanca de apertura/cierre del carburante,
4. Alojamiento filtro de aire,
5. Tanque de combustible,
6. Escape,
7. Unidad vibradora,
8. Tapón comprobación aceite del vibrador,
9. Punto Accesorio Barra Agua Pulverizada,
10. Barra Control de Manejo,
11. Manillar de Control,
12. Barra de Izado,
13. Depósito de agua,
14. Accesorio para traslados,

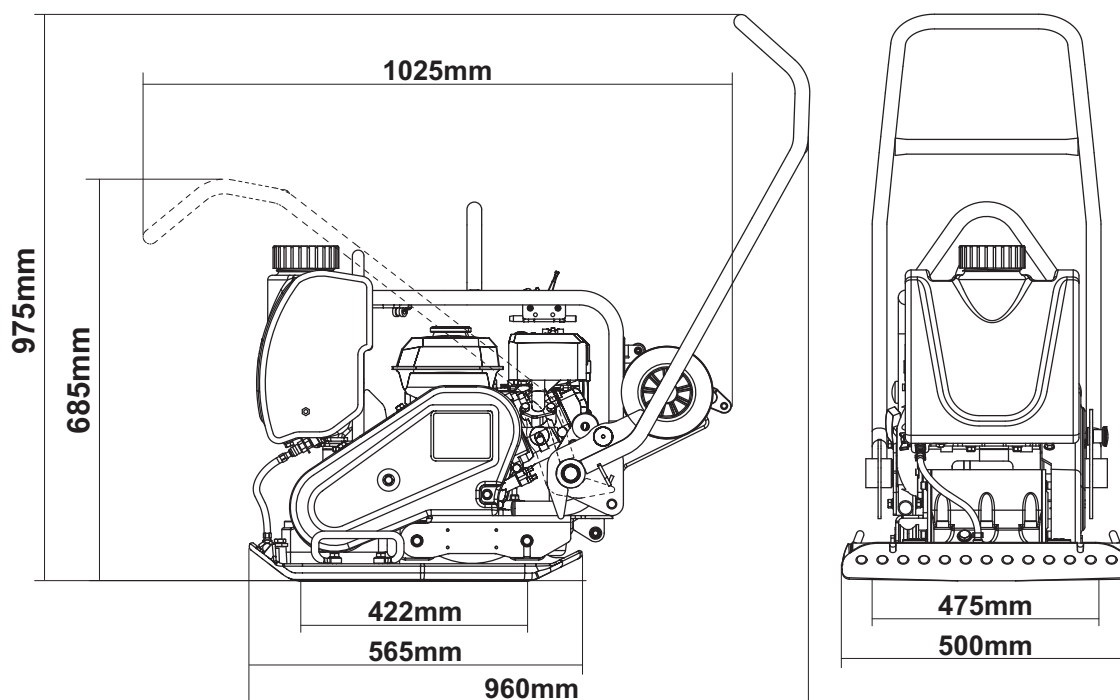
Datos Técnicos

E

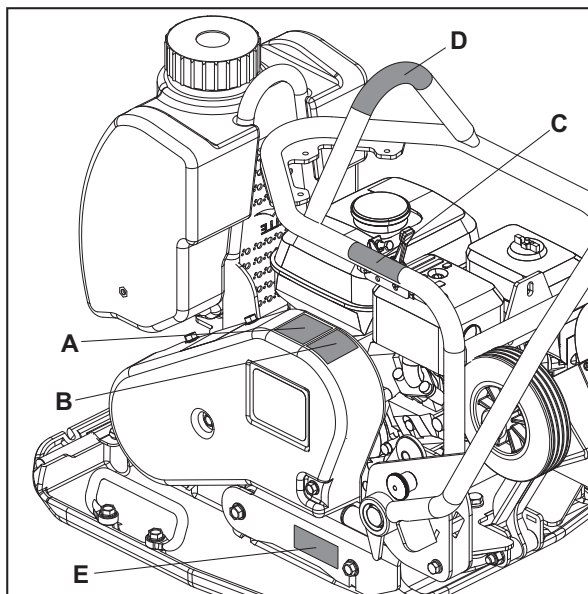
Modelo	Honda GX120	Honda GX160
Motor Modelo	Honda GX120	Honda GX160
Potencia del Motor (Hp/kW)	4.0/3.0 @ 3800rpm	5.5/4.4 @ 3800rpm
* Peso (kg)	89	90
Fuerza vibrador (kN)	15	15
Frecuencia (Hz)	85	85
Velocidad máxima de viaje (m/min)	24	24
Fuerza de compactación (kg/m ²)	485	485
** Vibración a 3 planos (m/sec ²)	2.7	2.7
Nivel de potencia acústica (dB(A))	105	105

* El Peso incluye Kit de Agua y Accesorio para el Traslado. (Puntos 13 y 14 de Descripción de la Máquina)

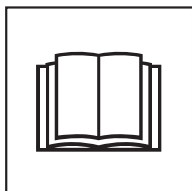
** Niveau minimum de En500 Part4



- A. Calcomanía De Seguridad.
- B. Calcomanía Ruido.
- C. Calcomanía RPM del motor.
- D. Calcomanía Punto de Izado.
- E. Rueda Kit Accesorio Calcomanía



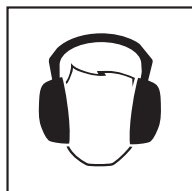
A - Placa de Seguridad (Part No. 19.0.373)



Por favor, leer el Manual de Operadores.



Llevar calzado de seguridad.



Llevar Protección Auditiva.



Llevar Protección ocular.

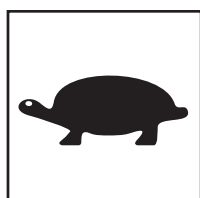
B - Placa de Nivel de Ruido (800/99951)

El nivel de ruido de la máquina mientras trabaja es de 105 dB(A).

C - Placa de RPM del motor



Posición de alta velocidad del motor.



Posición de baja velocidad del motor.

D - Placa del Punto de izado (800/99986)



Punto de izado

E - Rueda Kit Accesorio Calcomanía (800/99420)

Por favor, consulte la sección "Instrucciones de Montaje" de este sitio web para obtener una explicación.

Medioambiente

E

Eliminación apropiada.



Instrucciones para la protección del medioambiente. La máquina contiene materiales valiosos. Lleve la máquina descartada y sus accesorios a un taller de reciclado apropiado.

Componente	Materiel
Manillar	Acero
Placa de Base	Acero
Pesas Excéntricas	Acero
Unidad Vibradora	Aluminio
Vivienda Motor de Gasolina	Aluminio
Cubiertas del Motor de Gasolina	Material sintético
Piezas Varias	Acero y Aluminio

Razones que motivan la compactación

E

Los suelos que hayan sido perturbados o rellenados, las subbases y las superficies bituminosas contendrán pequeños vacíos o bolsas de aire que, si no se compactan, producirán ciertos problemas

1. El paso de tráfico sobre una superficie no compactada comprimirá el material. Esto produce el asentamiento de la superficie al llenar el material estos vacíos.
2. En el caso de cargas estáticas sobre terreno no compactado ocurre algo similar. La carga (por ej., un edificio) se hundirá.
3. Los materiales con vacíos son más susceptibles a la infiltración de agua, lo cual produce erosión. Además, la filtración de agua causa también la expansión del suelo durante temperaturas de helada y su contracción en épocas de sequedad.

La expansión y la contracción son causas principales del daño sufrido por las fundaciones de edificios y normalmente resulta necesario apuntalar la estructura. La compactación aumenta la densidad del material y, por lo tanto, incrementa su capacidad de carga. Reduce las bolsas de aire y, como resultado de ello, disminuye el riesgo de hundimiento, y la expansión y contracción producidas por la entrada de agua.

Seguridad General

E

Para su propia protección y la de aquellos que le rodean, lea y aprenda bien la siguiente información relativa a los aspectos de seguridad. El operador es responsable de asegurar que sabe operar bien, y con toda seguridad, este equipo. Si tiene dudas respecto al uso seguro y correcto de esta apisonadora, hable con su supervisor o póngase en contacto con Altrad Belle.



ATENCIÓN

El mantenimiento o uso incorrectos pueden dar lugar a peligro. Lea y aprenda bien esta sección antes de realizar ningún trabajo de mantenimiento, revisión o reparación.

- Este equipo es pesado y no debe levantarse sin ayuda. **BUSQUE AYUDA** o utilice un aparato adecuado de izar. Se dispone de un conjunto especial de transporte para la apisonadora (véanse las opciones).
- Acordone el área de trabajo y mantenga a distancia apropiada tanto al público como al personal no autorizado.
- El operador debe llevar equipos de protección personal siempre que utilice la apisonadora. (Véase Sanidad y Seguridad).
- Aprenda bien a desconectar la máquina antes de conectarla, en caso de ocurrir algún problema.
- Siempre desconecte el motor antes de transportarlo, moverlo de lugar a lugar o revisarlo.
- Durante el uso, el motor se calienta mucho: déjese enfriar antes de tocarlo. No deje nunca que funcione el motor si se ausenta de su lado.
- No desmonte ni toque las defensas; su objetivo es proporcionar la debida protección. Compruebe siempre el estado y seguridad de las defensas; por si están averidas o por si faltan. **NO USE LA APISONADORA** en tanto no se haya repuesto o reparado la defensa
- **NO USE LA APISONADORA** si se siente enfermo, o mal o está borracho o drogado.

Seguridad del carburante.



ATENCIÓN

Los carburantes son inflamables. Pueden causar lesiones personales y daños materiales. Apague el motor, extinga todas las llamas desnudas y no fume mientras llena el tanque de carburante. Elimine siempre todo vestigio de carburante derramado.

- Antes de rellenar de carburante, desconecte el motor y déjelo enfriar.
- Mientras se rellena de carburante, **NO** fume ni permita que haya ninguna llama desnuda en el área.
- Protéjase inmediatamente el carburante derramado, con arena. Si se derrama el carburante sobre su ropa, cámbiesela.
- Almacene el carburante en recipiente apropiado y aprobado, apartado de cualquier fuente de calor e ignición.

Vibraciones

Parte de la vibración producida por la operación de compactación se transmitirá por el manillar a las manos del operador. La gama de apisonadoras de plato Altrad Belle está diseñada específicamente para reducir los niveles de vibración a las manos/ brazos. Véanse las especificaciones y datos técnicos donde se indican los niveles de vibración y los tiempos de uso (tiempos máximos recomendados de exposición diaria). **NO DEBEN EXCEDERSE** los tiempos máximos de uso recomendados.

Equipos de protección personal (EPP)

Se deben llevar equipos adecuados de protección personal, por ejemplo, gafas de seguridad, guantes, protectores del oído, caretas antipolvo y calzado con punteras de acero.

Lleve ropa adecuada para el trabajo en curso. Sujete debidamente el cabello largo y quítese todo artículo de joyería que pudiera agarrarse con las partes móviles de la máquina.

Polvo

El proceso de compactación producirá a veces polvo que puede ser perjudicial para la salud. Lleve siempre una careta apropiada para el tipo de polvo producido.

Carburante

No ingiera carburante ni inhale los vahos del mismo, y evite que entre en contacto con la piel. Lave inmediatamente toda salpicadura de carburante. Si le entra carburante en los ojos, láveselos con abundante agua y consulte un médico lo antes posible.

Humos de escape

No opere nunca la apisonadora en lugares cerrados o en espacios delimitados, asegúrese de que la zona donde trabaja esté bien ventilada.

**AVISO**

Los humos de escape producidos por este equipo son muy tóxicos e incluso pueden matar.

Chequeos antes del arranque**Inspección previa al arranque**

La siguiente inspección previa al arranque debe realizarse antes del comienzo de cada sesión de trabajo o después de cada cuatro horas de funcionamiento, cualquiera que sea la primera. Para más detalles, véase la sección de revisión.

Cuando se descubre alguna avería, no se debe utilizar la apisonadora antes de reparar la avería.

1. Inspeccione bien la apisonadora para detectar señales de avería. Compruebe que haya todos los componentes y que estén bien fijos. Preste atención especial a la defensa de seguridad de la transmisión de correa adaptada entre el motor y la unidad vibradora.
2. Verifique el nivel de aceite de motor y rellénelo si es necesario.
3. Verifique el nivel de carburante del motor y rellénelo si es necesario.
4. Compruebe que no hayan escapes de carburante ni de aceite.

Funcionamiento de la apisonadora

- **Traslade la plancha de compactación al sitio en que se precise.**

En el lugar donde sea necesario utilizar un equipo de izado para posicionar la "PCX 17/50A", asegúrese de que el equipo de izado monta un LTC (Limitador de Trabajo de Carga) apropiado para el peso de las "PCX 17/50A" (Ver en la sección Datos Técnicos ó en la placa de especificación de la máquina). Situar cadenas ó eslingas apropiadas UNICAMENTE para su elevación en el punto situado en la parte superior de la "PCX 17/50A".

- NUNCA dejar el motor en funcionamiento en el proceso de traslado, aún en el caso de que se tratase de una distancia corta.

- Una vez llevados a cabo los chequeos precisos que se encuentran en la sección "Pre Arranque ó Puesta en Marcha", debe proceder a arrancar la máquina.

La gama de compactadoras "PCX 17/50A" de Altrad Belle están provistas de un embrague centrífugo, que permite al motor girar en posición neutra sin funcionar la vibración. En tanto que a velocidad del motor se incrementa el embrague engranará y accionará la vibración. Para una correcta operación, la velocidad del motor debería estar al máximo de vueltas.

- **Accionar el acelerador al máximo y utilizar el control para mantener ó girar la "PCX 17/50A".**

El vibrador no sólo actuará en la placa base para vibrar, igualmente actuará en su desplazamiento hacia delante. En una operativa normal se tendría que empujar la "PCX 17/50A" si bien le permite desplazarse a su velocidad propia. La velocidad de marcha vendrá determinada por la condición de la superficie a compactar. Si ésta es en cuesta, tener especial cuidado se debe tener para el control de la "PCX 17/50A" en su desplazamiento. Si fuera necesario, atar una soga adecuada a la "PCX 17/50A" en un punto inferior del chasis tirada por un ayudante y como ayuda a soportar el peso de la compactadora. Compactar en las cuestas hacia arriba y hacia abajo, no a través.

- **Trabajar la "PCX 17/50A" sobre la superficie con un patrón determinado hasta que la compactación requerida sea alcanzada.**

Donde haya un número de diferentes capas a compactar unas sobre otras, trabajar cada una de ellas individualmente.

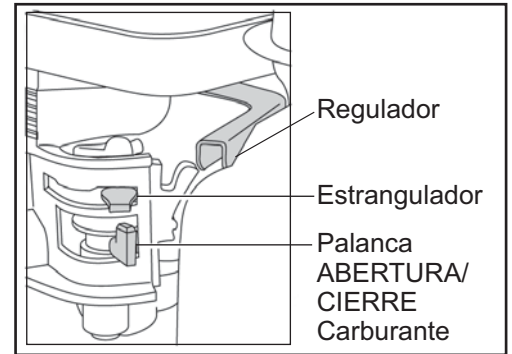


AVISO

Antes de operar o de realizar ningún trabajo de mantenimiento en esta máquina **SE DEBE LEER y ESTUDIAR** este manual.

Honda GX120 & GX160.

1. Abra el tapón del carburante poniendo totalmente a la derecha la palanca de ABERTURA/CIERRE de carburante.
2. Cuando se arranca el motor en frío, abrir la regulación poniendo la palanca de regulación totalmente a la izquierda. Cuando se arranca de nuevo un motor ya caliente, por lo general, no se requiere la regulación, pero si el motor ya se ha enfriado hasta cierto punto, quizá sea necesaria un poco de regulación.
3. Gire el conmutador ENCENDIDO/APAGADO del motor hacia la derecha, hasta llegar a la posición '1'.
4. Ponga el acelerador en la posición de ralentí moviendo totalmente a la derecha la palanca de control del acelerador. No arranque el motor a plena aceleración, pues la apisonadora vibrará tan pronto como arranque el motor.
5. Agarre bien con una mano el manillar de control, y, con la otra, la palanca del arranque. Tire de la palanca de arranque hasta sentir la resistencia del motor, luego suéltela.
6. Tire de la palanca de arranque con fuerza pero sin que se salga completamente la correa de arranque.
7. Repítalo hasta que se encienda el motor.
8. Una vez encendido el motor, ponga gradualmente la palanca de regulación en la posición de CIERRE, moviéndola hacia la derecha.
9. Si el motor no arranca después de varios intentos, siga las instrucciones de resolución de problemas de la página 27.
10. Para parar el motor, ponga el acelerador en ralentí y gire el conmutador de ENCENDIDO/APAGADO del motor hacia la izquierda, hasta llegar a la posición '0'.
11. Cierre el paso del carburante.



Resolución de problemas

Problema	Causa	Remedio
Motor no arranca.	Sin Carburante.	Abra el tapón de carburante. Llene el tanque de carburante.
	Motor apagado.	Encienda el motor.
	Bujía sucia.	Limpie y reponga huelgo de bujía.
	Motor frío.	Cierre el regulador.
	Motor Inundado.	Honda, abra regulador, abra acelerador totalmente, tire del arranque hasta que se encienda el motor.
Engine still will not start.	Major Fault	Contact Agent or Altrad Belle.
La unidad no vibra.	Velocidad motor muy baja.	Ponga el control de velocidad del motor en rapido.
	Tension correa transmisión floja.	Ajuste tensión correa.
	Filtro aire está bloqueado.	Limpie o recambie el filtro de aire.
	Fallo de transmisión.	Contacte el agente local.
	Fallo del vibrador.	Contacte el agente local.
Asfalto se adhiere al plato.	Falto de lubricación.	Use un sistema de rociado de agua.
Descascaramiento de la Superficie bituminosa (se lamina)	Sobrecompactación.	Elimine y compáctese otra vez.
Velocidad de viaje lenta (se hunde el plato)	Grosor capa muy profunda.	Elimine parte del material.
	Contenido muy alto o muy bajo de humedad.	Elimine parte del material y ajuste.

Mantenimiento

La gama Altrad Belle PCX 17/50A de apisonadoras de plato de dirección única está diseñada para proporcionar muchos años de funcionamiento sin ningún problema. Con todo, se debe realizar el simple mantenimiento regular indicado en esta sección. Se recomienda que todo el mantenimiento de importancia y las reparaciones sean encargados a un agente de Altrad Belle. Se deben utilizar siempre piezas de recambio Altrad Belle genuinas, el empleo de piezas espurias podrá dar lugar a la anulación de la garantía.

Antes de llevar a cabo el mantenimiento de la máquina, apague el motor. Si se trabaja en una máquina con motor de gasolina, desconecte el cable de AT de la bujía. Si se trabaja en una máquina con motor de gasóleo, compruebe que el conmutador de parada esté en la posición de parada.

Coloque siempre la apisonadora sobre terreno plano para poder leer correctamente los niveles de fluidos. Utilice únicamente los aceites recomendados (consulte la tabla siguiente).

Período de rodaje

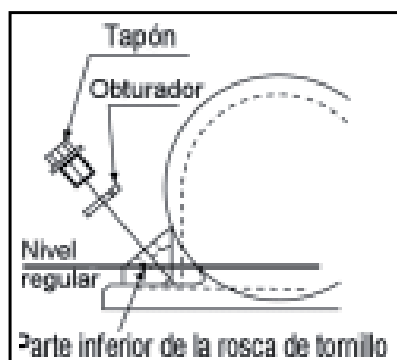
Cuando se use la apisonadora por primera vez, es decir nueva, se debe cambiar el aceite de motor después del período inicial de rodaje (para más detalles, véase el manual del motor). El aceite de la caja del eje del vibrador debe cambiarse después de las primeras 100 horas de uso y después, cada 500 horas de trabajo. Para detalles del cambio de aceite de la caja del eje del vibrador, vea 'Unidad vibradora'.

La tensión de la correa debe verificarse cada 4 horas de uso.

Mantenimiento de rutina		Primer 4 Horas	Primer Mes / 20 Horas	3 Meses / 50 Horas	6 Meses / 100 Horas
Aceite de Motor	Chequear nivel	✓			
	Cambio		✓		✓
Filtro de Aire	Chequear estado/Limpiar		✓		✓
	Substituya cuando es necesario / cada 12 meses				
Bujía	Cambio				✓
Correa Transmission	Tension	✓	✓	✓	

Tipo y cantidad de Aceite/Carburante - Tipo de bujía

	Tipo de Aceite	Cantidad	Tipo Carburante	Capacidad	Tipo de Bujía	Separación electrodo (mm)
Motor à Gasolina Honda GX120	S.A.E. 10W 30	0.6l	Sin Plomo	2.5l	BM6ES ou BPR6ES	0.7 - 0.8
Motor à Gasolina Honda GX160	S.A.E. 10W 30	0.6l	Sin Plomo	3.6l	BM6ES ou BPR6ES	0.6 - 0.7
Vibrador	S.A.E. 10W 40	0.3l	N/A	N/A	N/A	N/A

**Unidade Vibradora.**

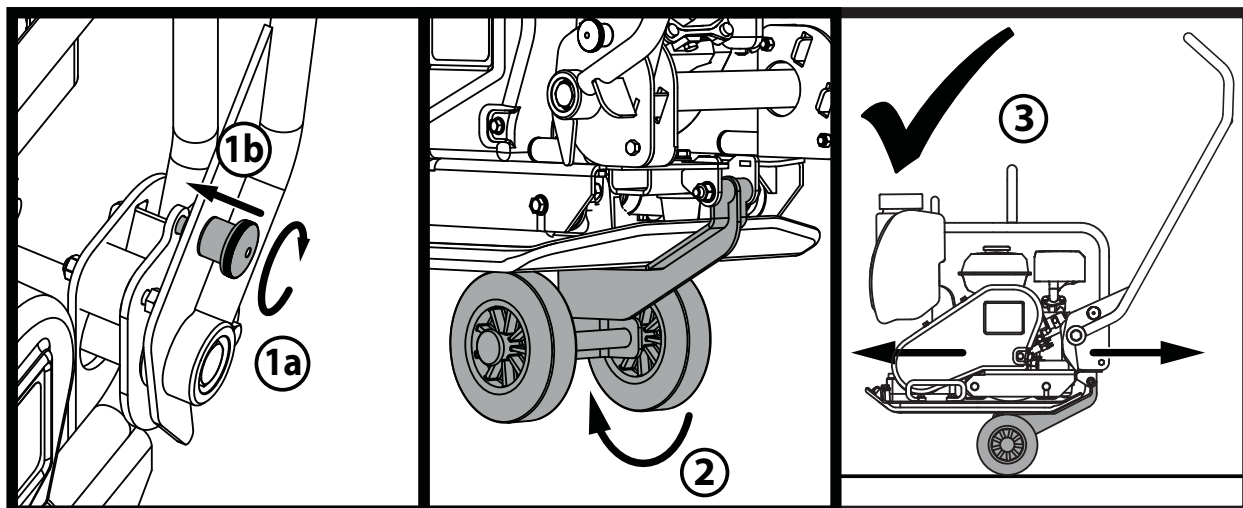
Desmonte el tapón completamente con su obturador, verifique que el nivel de aceite alcance la rosca de fondo del agujero del tapón de aceite.

Rellene según sea necesario con el aceite correcto (véase la tabla).

Al realizar el mantenimiento de este producto solo se pueden utilizar piezas de repuesto originales del fabricante.

El usuario perderá cualquier posible reclamación si las piezas de repuesto utilizadas no son las originales del fabricante.

Puede encontrar un PDF de listas de piezas para este producto en la sección "producto" de nuestro sitio web www.Altrad-Belle.com. La información sobre cómo obtener piezas de repuesto de su distribuidor local se puede encontrar en la sección "Contáctenos".



1. Gire la manija Perilla para enganchar el pestillo de la manija y asegure la manija.
2. Una vez que el mango está bloqueado en su lugar, suelte el juego de ruedas y deslice debajo de la placa base.
3. Con la manija sigue bloqueado en su lugar, la máquina está lista para ser transportados utilizando el kit de ruedas.

Garantía

La nueva apisonadora de plato Altrad Belle 'PCX 17/50A' de dirección única lleva una garantía de un año (12 meses), para el comprador original, a partir de la fecha original de compra. La garantía de Altrad Belle le ampara contra defectos de diseño, materiales y mano de obra.

La garantía de Altrad Belle no cubre lo siguiente:

1. Daños causados por el abuso, mal uso, caída u otros daños similares causados por o como resultado del incumplimiento de las instrucciones de ensamblaje, operación o mantenimiento por parte del usuario.
2. Las alteraciones, adiciones o reparaciones efectuadas por personas ajenas a Altrad Belle o a sus agentes reconocidos.
3. Los costos de transporte o embarque a y de Altrad Belle o sus agentes reconocidos, para la reparación o evaluación de una máquina al amparo de una reclamación contra la garantía.
4. Los costos de materiales y mano de obra relacionados con la renovación, reparación o recambio de componentes por desgaste normal.

Los siguientes componentes no están amparados por la garantía.

- Correa(s) de transmisión
- Filtro de aire del motor
- Bujía del motor

Altrad Belle y/o sus agentes reconocidos, directores, empleados o aseguradores no se responsabilizan de ningún daño consequential u otros, pérdidas o gastos relacionados con o debidos a la inhabilidad de usar la máquina.

Reclamaciones contra la garantía

Todas las reclamaciones presentadas al amparo de la garantía deben dirigirse primero a Altrad Belle ya sea por teléfono, fax, correo electrónico o por escrito.

Para las reclamaciones contra la garantía :

Tel: +44 (0)1298 84606,

Fax: +44 (0)1298 84073,

E-mail : Warranty.dept@altrad-belle.com

Escriban a:

Altrad Belle Warranty Department,
Sheen, Nr. Buxton
Derbyshire
SK17 0EU
Inglaterra

Registro de Garantía :

Con el fin de ser cada vez más ecológico, Altrad Belle permite registrar ahora las garantías via Internet. Para acceder a la página adecuada de nuestro sitio Web, deberá de utilizar la siguiente dirección:-

http://www.bellegroup.com/index.php?p=warranty_registration

Asímismo, podrá escanear el código de respuesta rápida adjunto (Quick Response Code) con su móvil lo que le permitirá acceder directamente a la página de registro.



Deze handleiding werd geschreven om u te helpen de 'PCX 17/50A' trilstamper op veilige wijze te bedienen en deze te onderhouden. Deze handleiding is bedoeld voor verdelers en operatoren van de 'PCX 17/50A' trilstamper.

Voorwoord

Het hoofdstuk '**Machinebeschrijving**' helpt u de indeling en de bediening van de machine te leren kennen.

Het hoofdstuk '**Milieu**' geeft aan hoe het afgedankte apparaat op een milieuvriendelijke manier te recyclen.

De hoofdstukken '**Algemene Veiligheid**' en '**Gezondheid en Veiligheid**' leggen uit hoe u de machine moet gebruiken om uw eigen veiligheid en de veiligheid van anderen te waarborgen.

Het hoofdstuk '**Bedieningsinstructies**' helpt u met de instelling en het gebruik van de machine.

De handleiding '**Probleemoplossing**' biedt u ondersteuning wanneer u een probleem heeft met de machine.

Het hoofdstuk '**Service & Onderhoud**' helpt u bij het algemene onderhoud en reparatiewerkzaamheden aan de machine.

Het hoofdstuk '**Garantie**' geeft details van de garantiedekking en de claimprocedure.

Richtlijnen met betrekking tot notaties in de tekst.

Tekst in deze handleiding waaraan speciale aandacht moet worden besteed, wordt op de volgende wijze aangegeven:



VOORZICHTIG

Het product loopt mogelijk gevaar. De machine kan beschadigd worden of uzelf kan letsel oplopen wanneer de procedures niet op correcte wijze worden uitgevoerd.



WAARSCHUWING

Het leven van de operator loopt mogelijk gevaar.

WAARSCHUWING



WAARSCHUWING

*Voordat u deze machine gaat bedienen of daaraan onderhoud gaat uitvoeren **MOET** u deze handleiding **LEZEN en BESTUDEREN**.*

RAAK VERTROUWD met de veilige wijze van bedienen van de machine en weet wat u moet doen voor het veilig uitvoeren van onderhoud.

(NB Zorg ervoor dat u weet hoe u de machine moet uitschakelen voordat u deze inschakelt, voor het geval u in de problemen komt.)

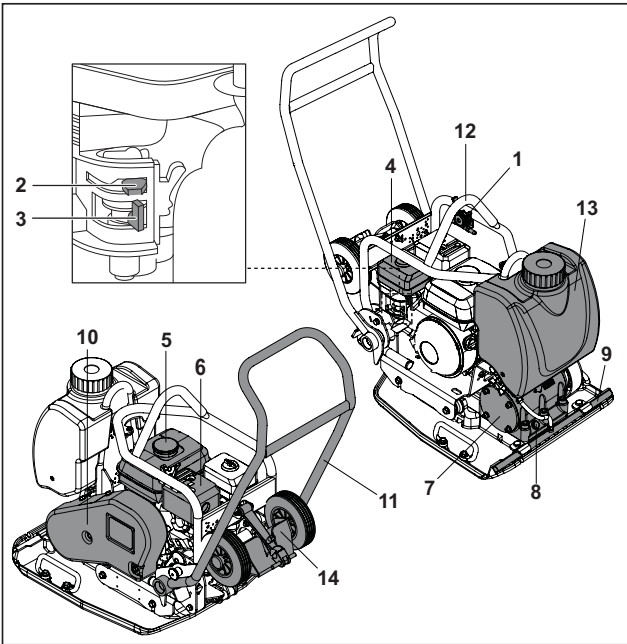
Draag **ALTIJD** de vereiste veiligheidsuitrusting voor uw eigen bescherming.

Wanneer u VRAGEN heeft aangaande veilig gebruik of onderhoud van deze eenheid,

STEL DIE DAN AAN UW OVERSTE OF NEEM CONTACT OP MET DE Altrad Belle.

Inhoudsopgave

Hoe gebruikt u deze handleiding.....	34
Waarschuwing	34
Machinebeschrijving	35
Technische gegevens	35
Stickers.....	36
Milieu	37
Redenen om te verdichten	37
Veiligheidsinstructies	37
Gezondheid en Veiligheid	38
Controle voor Opstarten	38
Bedieningsinstructies	38 - 39
Handleiding Probleemoplossing.....	39
Service & Onderhoud	40
Vervangingsonderdelen.....	40
Aansluitinstructies.....	41
Garantie	41
EG Verklaring van overeenstemming.....	6



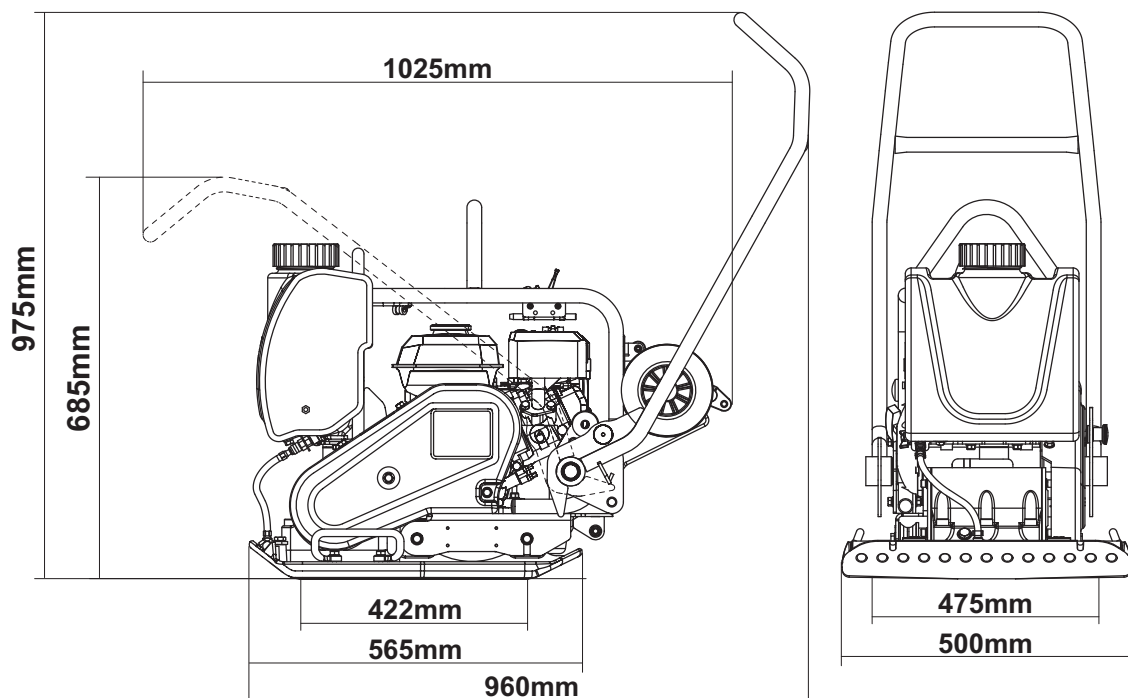
1. Gashendel,
2. Choke,
3. Brandstof ON/OFF hendel,
4. Luchtfilter Woning,
5. Brandstoftank,
6. Uitlaat,
7. Trilelement,
8. Vibreren Petroleum Sortie Tampon,
9. Verknochtheid Top Voor Water Vaporisator Zandbank
10. Beschermingsmechanisme,
11. Zeggenschap Steel,
12. Opheffing Raamwindow,
13. Waterreservoir,
14. Oplegger Verknochtheid

Technische gegevens

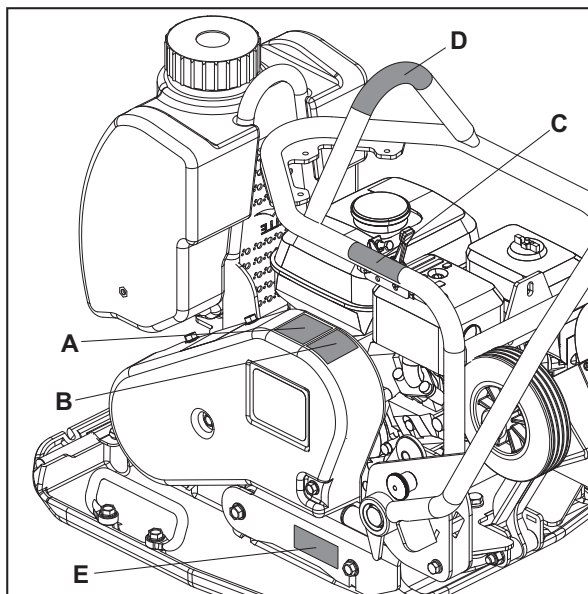
Model	Honda GX120	Honda GX160
Motor	Honda GX120	Honda GX160
Motorvermogen (Hp/kW)	4.0/3.0 @ 3800rpm	5.5/4.4 @ 3800rpm
* Gewicht (kg)	89	90
Trilvermogen (kN)	15	15
Frequentie (Hz)	85	85
Maximale verplaatsingsnelheid (m/min)	24	24
Verdichtingsvermogen (kg/m ²)	485	485
** 3-Assige Trilling (m/sec ²)	2.7	2.7
Geluidsvermogensniveau (dB(A))	105	105

* Zwaarte omvat Water Kit en Oplegger Verknochtheid. (Punt 13 en 14 van Toestel Tafereel)

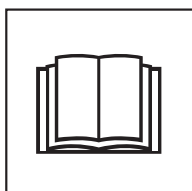
** Minimum niveau EN500 Deel 4.



- A. Veiligheidssticker.
- B. Geluidssticker.
- C. Motortoerental sticker.
- D. Hefpunt sticker.
- E. Wielkit Montage Sticker



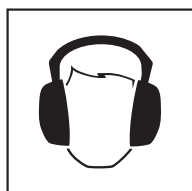
A - Veiligheidssticker (Onderdeelnr. 19.0.373)



Lees de bedieningshandleiding.



Draag beschermend schoeisel.



Draag oorbescherming.

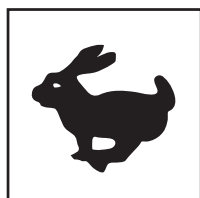


Draag oogbescherming.

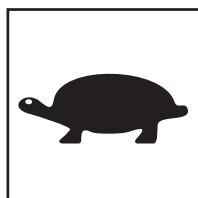
B - Geluidssticker (800/99951)

Het geluidsniveau van de machine gedurende de werking is 105 dB (A).

C - Motortoerental sticker

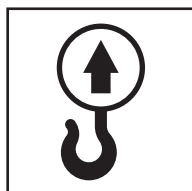


Snellopende motorsnelheidpositie.



Langzaamlopende motorsnelheidpositie.

D - Hefpunt sticker (800/99986)



Hefpunt.

E - Wielkit Montage Sticker (800/99420)

Zie de 'Aansluitinstructies' sectie van deze website voor uitleg.

Veilige Verwijdering.

Instructies ter bescherming van het milieu.
De machine bevat waardevolle materialen. Breng het afgedankte apparaat en de toebehoren ervan naar de desbetreffende instantie voor hergebruik

Onderdeel	Materiaal
Bedieningshendel	Staal
Bodemplaat	Staal
Excentrische Gewichten	Staal
Trilelement	Aluminium
Behuizing Benzinemotor	Aluminium
Afdekkingen Benzinemotor	Synthetisch materiaal
Overige Onderdelen	Staal & Aluminium

Redenen voor Verdichting

Aarde die omgewoeld is of nieuw is gestort, ondergrond en asfaltering zullen kleine ruimtes of luchtzakken bevatten die, wanneer deze niet verdicht worden, zullen leiden tot problemen.

1. Wanneer er verkeer rijdt over een niet verdicht stuk grond, wordt het materiaal samengedrukt. Dat leidt tot verzakking van de bovenzijde wanneer het materiaal de leemtes opvult.
2. Een gelijksoortige situatie ontstaat bij statische belastingen op een niet verdichte ondergrond. De belasting (bijv. een gebouw) zal zakken.
3. Materialen met leemtes zijn ontvankelijker voor het doorlaten van water, wat zal leiden tot erosie. Water opname kan er eveneens toe leiden dat de bodem tijdens vorstperiodes uitzet en inklinkt tijdens periodes van droogte. Uitzetten en inklinken is de voornaamste oorzaak van schade aan funderingen van gebouwen en leidt er normaalgesproken toe dat de structuur moet worden verstevigd.

Verdichting verhoogt de dichtheid van het materiaal en daarmee de draagkracht. Het vermindert de hoeveelheid poriën en daarmee het risico op verzakken, uitzetten en inklinken als gevolg van de opname van water.

Veiligheidsinstructies

Voor uw eigen persoonlijke bescherming en voor de veiligheid van de personen rondom u, dient u de volgende veiligheidsinformatie te lezen en volledig te begrijpen. Het is de verantwoordelijkheid van de operator ervoor te zorgen dat hij/zij volledig begrijpt hoe hij/zij de apparatuur op veilige wijze moet bedienen. Wanneer u er niet zeker van bent hoe u de 'PCX 17/50A'-trilstamper op veilige en correcte wijze kunt gebruiken, raadpleeg dan uw overste of de Altrad Belle.

**VOORZICHTIG**

Onjuist onderhoud kan gevaarlijk zijn. Zorg dat u dit hoofdstuk leest en begrijpt voordat u onderhoud, herstel- of reparatiewerkzaamheden gaat uitvoeren.

- Deze machine is zwaar en mag niet door één persoon opgetild worden, **ZOEK HULP** of gebruik een geschikte hijsinstallatie.
- Baken het werkgebied af en houd voorbijgangers en niet bevoegd personeel op een veilige afstand.
- De operator moet een Persoonlijke Veiligheidsuitrusting dragen bij de bediening van deze machine (zie Gezondheid & Veiligheid).
- Zorg ervoor dat u weet hoe u de machine moet **UITSCHAKELEN** voor dat u deze **INSCHAKELT**, voor het geval u in de problemen komt.
- Zet de motor altijd **UIT** voordat u de machine gaat transporteren, verplaatsen over het bouwterrein of er onderhoud aan gaat uitvoeren.
- Tijdens het gebruik wordt de motor erg heet, laat de motor afkoelen voordat u deze aanraakt. Laat de machine nooit zonder toezicht met draaiende motor achter.
- Verwijder of wijzig nooit aangebrachte bescherming; deze is er voor uw veiligheid. Controleer de beschermkappen altijd op staat en veiligheid; wanneer een beschermkap beschadigd is of ontbreekt, **GEBRUIK DAN DE MACHINE NIET** tot de beschermkap vervangen of gerepareerd is.
- Bedien de **MACHINE** niet wanneer u ziek bent, zich moe voelt of wanneer u onder invloed van alcohol of drugs verkeert.

Veiligheid Brandstof.**VOORZICHTIG**

Brandstof is ontvlambaar. Het kan letsel en materiële schade veroorzaken. Schakel de motor uit, doof open vuur en rook niet tijdens het vullen van de brandstoftank. Verwijder altijd alle gemorste brandstof.

Fuel Safety.

- Schakel voordat u tankt de motor uit en laat deze afkoelen.
- **ROOK NIET** tijdens het tanken en voorkom open vuur in de buurt.
- Gemorste brandstof dient onmiddellijk onschadelijk te worden gemaakt; gebruikt daarvoor zand. Wanneer u brandstof morst op uw kleren, kleed u dan om.
- Sla brandstof op in een goedgekeurde en hiertoe gemaakte container, ver weg van hitte- en ontstekings bronnen.

Vibratie

Sommige vibratie die ontstaat bij het walsen, wordt via de handgreep doorgegeven naar de handen van de operator. Raadpleeg specificaties & technische gegevens voor vibratieniveaus en periodes van gebruik (aanbevolen maximale dagelijkse blootstellingstijd). **OVERSCHRIJD** de maximale gebruikstijd **NIET**.

Persoonlijke Veiligheidsuitrusting.

U dient bij gebruik van deze machine de geschikte Persoonlijke Veiligheidsuitrusting te dragen, d.w.z. Veiligheidsbril, Handschoenen, Oorbeschermers, Stofmaskers en veiligheidsschoenen met Stalen Neuzen (met anti-slip zolen voor extra bescherming). Draag kleding die geschikt is voor het werk dat u doet. Bescherm uw huid altijd tegen het contact met beton.

Stof.

Het verdichtingsproces kan stof produceren, hetgeen schadelijk voor uw gezondheid kan zijn. Draag altijd een masker dat geschikt is voor het type stof dat vrijkomt.

Brandstof.

Brandstof niet inslikken, brandstofdampen niet inhaleren en het contact met uw huid vermijden. Was brandstofspetters onmiddellijk af. Wanneer u brandstof in uw ogen krijgt, spoel dan met grote hoeveelheden water en zoek zo snel mogelijk medische hulp.

Uitlaatgassen.

Gebruik uw 'PCX 17/50A' niet binnen of in een kleine ruimte, zorg dat het werkgebied op adequate wijze geventileerd wordt.

**WAARSCHUWING**

De uitlaatgassen die door deze machine worden geproduceerd, zijn zeer giftig en kunnen dodelijk zijn!

Inspectie voor opstarten.

De volgende "inspectie voor opstarten" moet worden uitgevoerd voor het begin van een iedere werkperiode of steeds na vier uur gebruik, afhankelijk van hetgeen het eerst aan de orde is. Raadpleeg het hoofdstuk onderhoud voor gedetailleerde aanwijzingen. Wanneer er een defect wordt vastgesteld, mag de 'PCX 17/50A' niet worden gebruikt tot dit defect is verholpen.

1. Inspecteer de 'PCX 17/50A' nauwkeurig op tekenen die op schade wijzen. Controleer of de beschermkap van de riem goed vastzit voo dat u de machine gaat gebruiken.
2. Controleer slangen, vulopeningen, aftappluggen en alle andere zones op tekenen van lekkage. Dicht alle lekken voordat u de machine gaat gebruiken.
3. Controleer het peil van de motorolie en vul bij indien dat nodig is.
4. Controleer het brandstofpeil van de motor en vul bij indien dat nodig is.
5. Controleer op brandstof- en olielekken.

- **Verplaats de trilplaat naar de plek waar deze gebruikt moet worden.**
Wanneer het nodig is een hijsinstallatie te gebruiken om de 'PCX 17/50A' te plaatsen, controleer dan of het maximale hefgewicht van de hijsinstallatie geschikt is voor het gewicht van de 'PCX 17/50A'(zie het hoofdstuk Technische Gegevens of kijk op het plaatje met het serienummer van de machine). Maak geschikte kettingen of draagbanden **ALLEEN** vast aan het ophijspunt bovenop de 'PCX 17/50A'
- Laat de motor **NOOIT** draaien tijdens het transport of de verplaatsing van de 'PCX 17/50A', zelfs wanneer het maar een korte a stand betreft.
- Nadat u de controles die genoemd worden in het hoofdstuk 'voor de start' heeft uitgevoerd, mag u de motor starten. Het 'PCLX'-gamma trilstampers van de Altrad Belle is uitgevoerd met een centrifugaalkoppeling, waardoor de motor in vrijloop kan draaien zonder de trileenheid aan te drijven. Wanneer de motorsnelheid wordt opgevoerd, zal de koppeling inschakelen en de trileenheid aandrijven. Voor een correcte werking dient de motor op zijn maximale snelheid afgesteld te worden.
- **Zet de gashendel op maximaal en gebruik de handgreep om de 'PCX 17/50A' te sturen of te draaien.**
De trileenheid zorgt er niet alleen voor dat de bodemplaat trilt, maar zorgt eveneens voor een voorwaartse beweging. Gedurende normale werking zou het niet nodig moeten zijn de 'PCX 17/50A' vooruit te duwen maar kunt u deze zich gewoon laten voortbewegen op zijn eigen snelheid. De verplaatsingssnelheid wordt bepaald door de aard van het oppervlak dat moet worden verdicht. Wanneer het te verdichten oppervlak gelegen is op een helling, dient u zeer voorzichtig te werk te gaan bij het leiden van de 'PCX 17/50A' in de verplaatsingsrichting. Indien nodig, dient u een daarvoor geschikt touw te bevestigen aan de onderkant van het chassis van de 'PCX 17/50A', zodat iemand u kan helpen bij het in bedwang houden van het gewicht van de 'PCX 17/50A'. Werk op een helling op- en neer waarts, niet in dwarsrichting.
- **Verplaats de 'PCX 17/50A' in een regelmatig patroon over het oppervlak tot de gewenste verdichting bereikt is.**
Wanneer er een aantal lagen over elkaar heen moeten worden verdicht, verdicht dan elke laag afzonderlijk.

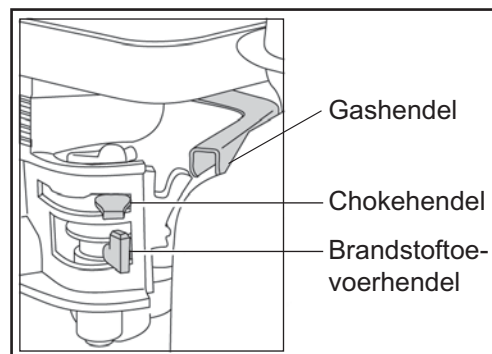


WAARSCHUWING

Voordat u deze machine gaat bedienen of daaraan onderhoud gaat uitvoeren **MOET** u deze handleiding **LEZEN en BESTUDEREN**.

Honda GX120 & GX160

1. Zet de brandstoftoevoer open door de brandstoftoevoerhendel volledig naar rechtste duwen.
2. Zet bij het starten van een koude motor de choke aan (ON) door de chokehendel volledig naar links te duwen. Bij het herstarten van een warme motor is de chokegewoonlijk niet meer nodig, maar als de motor enigszins is afgekoeld, moet mogelijk gedeeltelijk choken.
3. Draai de motor-aan-uit-schakelaar naar rechts in de stand 'I'.
4. Zet de gasklep in de stand voor stationair toerental door de gashendel volledig naar rechts te duwen. Start de motor niet met volgas, omdat de machine anders direct begint te trillen zodra de motor aanslaat.
5. Houd de bedieningshendel met één hand goed vast en trek met de andere hand aan de repeteerstarter totdat u weerstand van de motor voelt. Laat de starter vervolgens los.
6. Trek flink aan de repeteerstarter, maar let erop dat u het koord niet volledig uittrekt.
7. Herhaal deze procedure totdat de motor aanslaat.
8. Als de motor aanslaat, moet de chokehendel geleidelijk naar rechts worden geduwd (naar de stand OFF).
9. Als de motor na verscheidene pogingen niet aanslaat, raadpleeg dan de paragraaf Foutopsporing op pagina 41.
10. Om de motor uit te zetten, moet de gasklep in de stand voor stationair toerental worden gezet en de motor-aan-uit-schakelaar naar links in de stand '0' worden gedraaid.
11. Sluit de brandstoftoevoer af.



Handleiding Probleemoplossing

Probleem	Oorzaak	Oplossing
Motor no arranca.	Geen brandstof.	Zet brandstoftoevoer open Vul brandstoftank.
	Motor staat uit	Zet motor aan.
	Vuile bougie elektrodenafstand opnieuw af.	Reinig bougie en stel.
	Motor is koud.	Zet choke uit.
	Motor is verzopen.	Honda zet choke open, zet gasklep volledig open, trek aan repeteerstarter totdat motor aanslaat.
Motor nog steeds niet gestart.	Grote Fout.	Neem contact op me plaatselijke serviceagent.
Machine trilt niet.	Motortoerental te laag	Zet Motortoerentalregelaar op Fast (hoog)
	Spanning aandrijfriem te laag	Stel riemspanning af.
	Luchtfilter verstopt.	Reinig of vervang luchtfilter.
	Aandrijfstorage.	Neem contact op me plaatselijke serviceagent.
	Storage van trilelement.	Neem contact op met plaatselijke serviceagent.
Asfalt kleeft aan plaat.	Onvoldoende smering.	Gebruik een waterinstallatie.
Bitumineus oppervlak scheurt (spleet in lagen)	Oververdichting.	Oppervlak verwijder en opnieuw leggen.
Lage loopsnelheid (Platz zak in)	Laagdikte te diep.	Verwijder een deel van het materiaal.
	Vochtgehalte te hoog of te laag.	Materiaal verwijderen en aanpassen.

Onderhoud

Het 'PCX 17/50A'-gamma van de Altrad Belle is ontworpen voor vele jaren probleemloze werking. Het wordt aangeraden dat een erkende Altrad Belle verdeler alle grote onderhouds- en reparatiewerkzaamheden uitvoert. Gebruik altijd originele reserveonderdelen van de Altrad Belle; gebruik van niet originele onderdelen kan uw garantie ongeldig maken.

Voordat er onderhoudswerkzaamheden worden uitgevoerd aan de machine, dient u de motor uit te zetten en de kabel van de bougie los te koppelen.

Plaats de 'PCX 17/50A' altijd op een horizontaal vlak om te waarborgen dat alle vloeistofniveaus correct worden afgelezen. Gebruik alleen aanbevolen oliesoorten (zie de onderstaande tabel).

Inlooperperiode

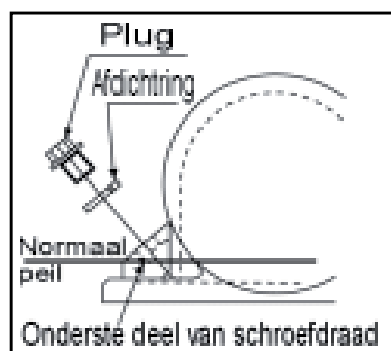
Wanneer de 'PCX 17/50A' voor het eerst wordt gebruikt, moet de motorolie na de inlooperperiode vervangen worden (zie handleiding van de motor voor alle details). De olie van de trikolom dient na de eerste 100 gebruiksuren te worden vervangen en daarna na elke 500 werkingsuren. Voor details inzake de vervanging van de olie voor de trilschacht, zie 'Trileenheid'.

De spanning van de riem dient na de eerste 4 gebruiksuren te worden gecontroleerd.

Routineonderhoud		Elke 4 Uur	Eerste mnd / 20 Uur	3 Mnd / 50 Uur	6 Mnd / 100 Uur
Motorolie	Peil Controleren	✓			
	Verversen		✓		✓
Luchtfilter	Staat Controleren / Reinigen		✓		✓
	Indien nodig vervangen / Elke 12 mnd				
Bougie	Verversen				✓
Aandrijfriem	Spanning	✓	✓	✓	

Olie- / brandstoftype en hoeveelheid - Bougietype

	Olietype	Hoeveel	Brandstoftype	Inhoud	Bougietype	Elektroden -afstand (mm)
Benzine Motor Honda GX120	S.A.E. 10W 30	0.6l	Ongelood	2.5l	BM6ES or BPR6ES	0.7 - 0.8
Benzine Motor Honda GX160	S.A.E. 10W 30	0.6l	Ongelood	3.6l	BM6ES or BPR6ES	0.6 - 0.7
Trilelum	S.A.E. 10W 40	0.3l	N/A	N/A	N/A	N/A

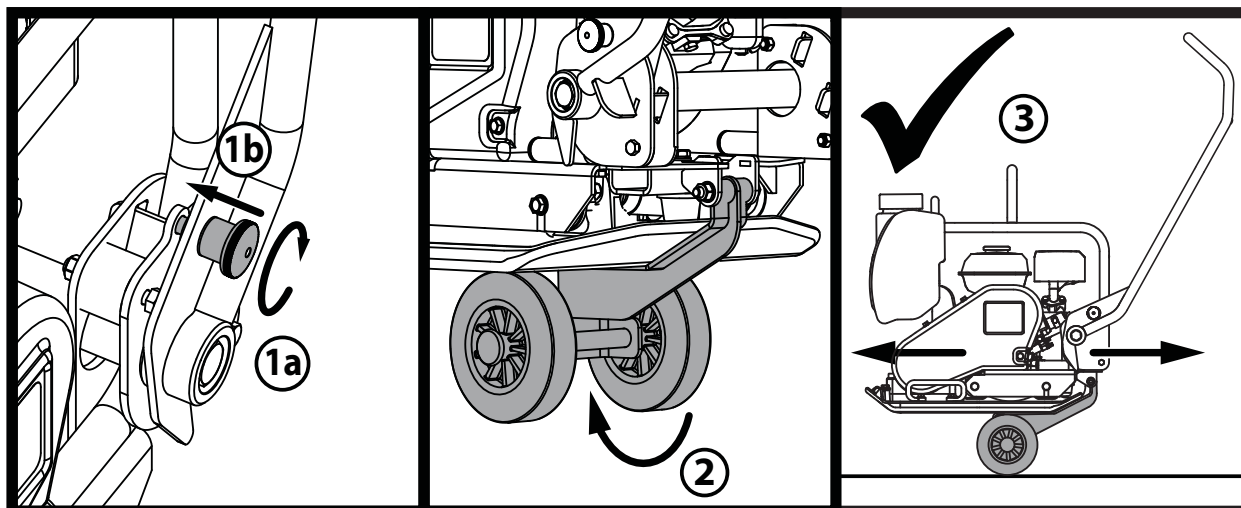
**Verwijder de plug en de afdichting.**

Controleer of het oliepeil tot aan het onderste deel van de schroefdraad van het oliepluggat reikt. Vul zo nodig olie bij (let op het type, zie tabel).

Bij het onderhoud van dit product mogen alleen originele, originele vervangingsonderdelen van de fabrikant worden gebruikt.

De gebruiker verliest alle mogelijke claims als de gebruikte vervangingsonderdelen niet de originele vervangingsonderdelen van de fabrikant zijn.

Een pdf met onderdelenlijsten voor dit product is te vinden in het 'product' gedeelte van onze website www.Altrad-Belle.com. Informatie over het kopen van vervangende onderdelen bij uw plaatselijke dealer is vervolgens te vinden in het gedeelte 'contact met ons opnemen'.



1. Draai het handvat Sluitknop om het handvat vergrendeling vast en sluit het handvat.
2. Zodra het handvat is vergrendeld, laat het wiel kit en schuif onder de bodemplaat.
3. met het handvat nog steeds opgesloten op zijn plaats, de machine is nu klaar om te worden vervoerd via de wiel kit.

Garantie

Op deze 'PCX 17/50A'-eenrichtingstrilplaat van Altrad Belle wordt garantie verleend aan de oorspronkelijke koper gedurende een periode van één jaar (12 maanden) vanaf de oorspronkelijke datum van aankoop. De garantie van Altrad Belle is geldig in geval van ontwerp-, materiaal- en fabrieksfouten.

Het volgende valt niet onder de garantie van Altrad Belle:

1. Schade als gevolg van misbruik, verkeerd gebruik, het vallen van de machine, en andere soortgelijke schade als gevolg van het niet opvolgen van de montage-, bedienings- en onderhoudsinstructies.
2. Aanpassingen, montage van extra onderdelen of reparaties door anderen dan Altrad Belle of diens erkende agenten.
3. De kosten van transport- en vervoer van en naar Altrad Belle of diens erkende agenten in verband met reparatie dan wel inschatting van schade aan de machine bij een garantieclaim.
4. Materiaal- en/of arbeidskosten voor het vernieuwen, repareren of vervangen van onderdelen als gevolg van normale slijtage.

De volgende onderdelen vallen niet onder de garantie:

- Aandrijfriem(en)
- Luchtfilter (motor)
- Bougie (motor)

Altrad Belle en/of diens erkende agenten, leidinggevenden, medewerkers en verzekeraars kunnen niet aansprakelijk worden gesteld voor gevolgschade of andere schade, verliezen dan wel onkosten in verband met of als gevolg van het onvermogen de machine voor enig doel te gebruiken.

Garantieclaims

Garantieclaims dienen in eerste instantie telefonisch, schriftelijk, per fax of per email te worden gericht aan Altrad Belle.

Nummers voor garantieclaims:

Tel: +44(0)1298 84606

Fax: +44(0)1298 84073

Email : Warranty.dept@altrad-belle.com

Correspondentieadres:

Altrad Belle Warranty Department,
Sheen, Nr. Buxton
Derbyshire
SK17 0EU
England

Garantieregistratie:

In de offerte voor ALTRAD Belle om groener en meer ecovriendelijk te worden hebben we een online Garantieregistratie geïntroduceerd. Om de registratiepagina op onze website te openen kunt u het volgende adres gebruiken:

http://www.bellegroup.com/index.php?p=warranty_registration

U kunt ook de QR Code (Quick Response Code) gebruiken om met uw smartphone de registratiepagina te openen.





Benutzung Dieser Anleitung

Dieses Handbuch wurde geschrieben, um den sicheren Betrieb und die sichere Wartung des Plattenverdichtungsgerätes PCX 17/50A zu gewährleisten. Das Handbuch ist für Händler und Benutzer des Plattenverdichters PCX 17/50A gedacht.

Vorwort

Der abschnitt **'Maschinenbeschreibung'** soll sie mit dem maschinenlayout und den einzelnen bedienelementen vertraut machen. Im abschnitt **'Umwelt'** finden sich anweisungen über die entsorgung bzw. Verwertung der bauteile dieses geräts nach.

Die abschnitte **'Allgemeine Sicherheit'** und **'Gesundheits- und Arbeitsschutz'** beschreiben die benutzung der maschine zur Gewährleistung ihrer eigenen sicherheit und von mitgliedern der öffentlichkeit.

Der abschnitt **'Bedienungsanleitung'** hilft ihnen mit dem aufbau und dem betrieb der maschine.


Die **'Hinweise für die Fehlersuche'** helfen ihnen, störungsursachen der maschine aufzufinden.


Im abschnitt **'Instandhaltung'** finden sich die angaben für die allgemeine instandhaltung und die wartung ihrer maschine.

Der abschnitt **'Garantie'** erklärt die details und die art der gewährleistung und den prozess eines schadensanspruches.

Hinweise zur Schreibweise:

Besonders wichtige Textabschnitte werden wie folgt gekennzeichnet:

 **WARNEN** *Beschädigungs- bzw. Verletzungsgefahr. Bei Nichteinhaltung der vorgeschriebenen Arbeitsweise besteht die Gefahr von Maschinenschäden bzw. Personenverletzungen.*

 **WARNUNG** *Lebensgefahr für den Bediener.*



Warnung

 **WARNUNG** *Vor Benutzung der Maschine bzw. vor der Ausführung von Instandhaltungsarbeiten **MÜSSEN SIE SICH MIT DEM INHALT DIESER ANLEITUNG VERTRAUT MACHEN !***

SIE MÜSSEN MIT DER SICHEREN BEDIENUNG DER MASCHINE VERTRAUT SEIN

und wissen, welche Instandhaltungsarbeiten für Ihre ständige Sicherheit erforderlich sind. (N.B. Informieren Sie sich vor dem Einschalten der Maschine, wie Sie wieder abstellen können, damit Sie Probleme vermeiden).

Sie müssen **IMMER** die vorgeschrieben persönliche Schutzausrüstung tragen.

IBEI FRAGEN über die sichere Benutzung oder Instandhaltung dieses Geräts: FRAGEN SIE IHREN VORGESETZTEN, ODER WENDEN SIE SICH Altrad Belle: +44 (0) 1298 84606



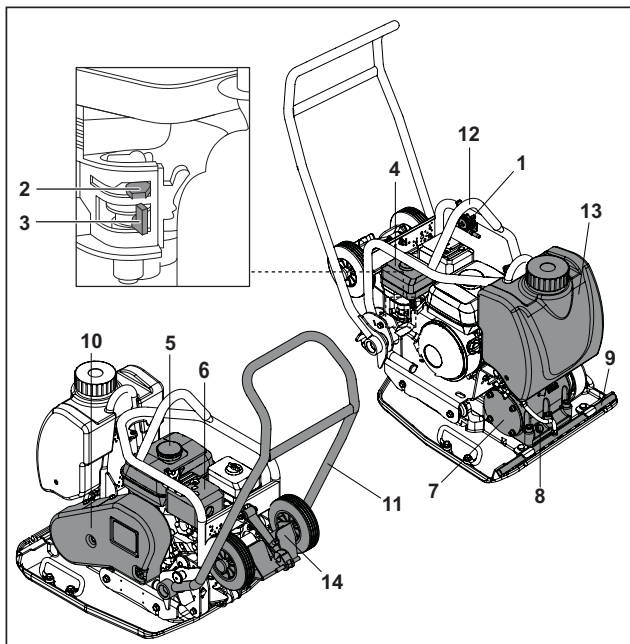
Inhaltsverzeichnis

Benutzung Dieser Anleitung	42
Warnung	42
Maschinenbeschreibung.....	43
Technische Daten	43
Aufkleber	44
Umwelt.....	45
Warum Rütteln?.....	45
Allgemeine Sicherheit.....	45
Arbeitsschutzschwingungen.....	46
Kontrollen vor dem Start	46
Bedienung des Rüttlers	46 - 47
Hinweise Für die Fehlersuche.....	47
Wartung	48
Ersatzteile.....	48
Montagehinweise.....	49
Garantie	49
EG-Konformitätserklärung	7

Altrad Belle behält sich jederzeit das Recht zu Änderungen an der Maschine ohne vorherige Ankündigung vor.

Beschreibung der Maschine

D



1. Gashebel,
2. Kaltstarthebel,
3. EIN/AUS-Hebel für Treibstoffzufuhr,
4. Luftfiltergehäuse,
5. Treibstofftank,
6. Auspuff,
7. Rüttlerteil.,
8. Ölkontrolstecker des Vibrators,
9. Befestigungspunkt für die Wasser-Spray Leiste,
10. Riemenschutz,
11. Steuerungsgriff,
12. Rahmen zum anheben ,
13. Wassertank,
14. Transportvorrichtung

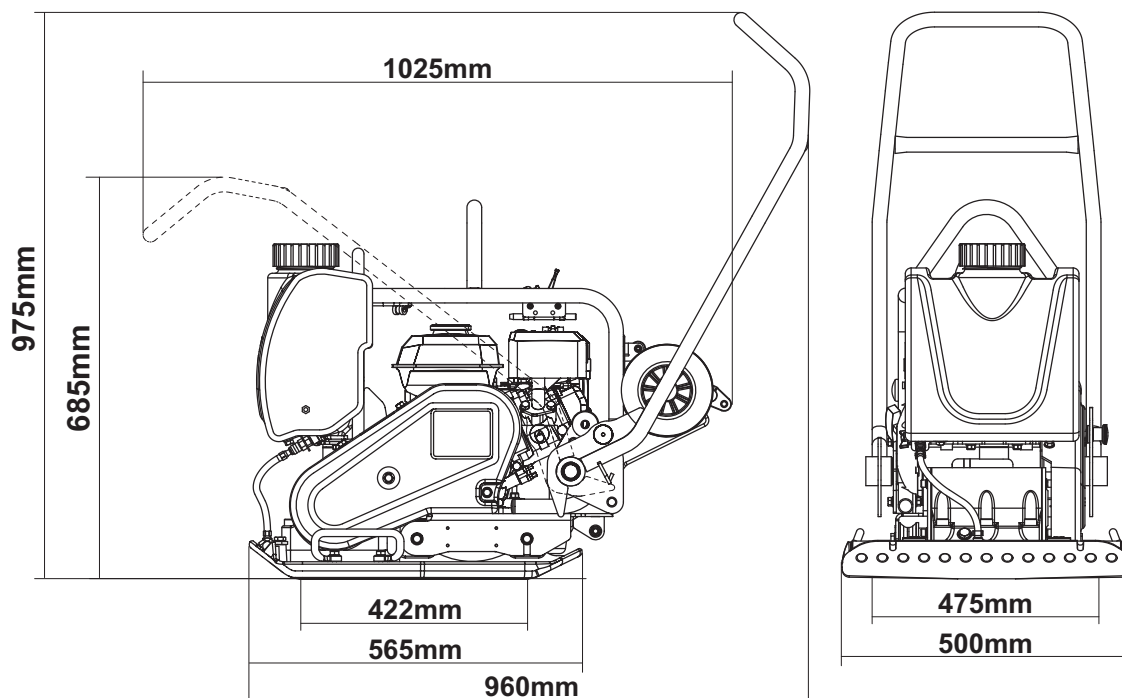
Technische Daten

D

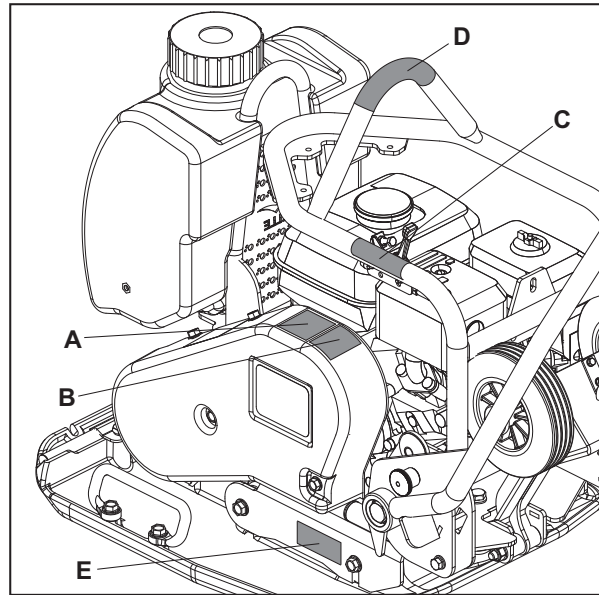
Modell	Honda GX120	Honda GX160
Motor Modell	Honda GX120	Honda GX160
Motorstärke (PS/kW)	4.0/3.0 @ 3800rpm	5.5/4.4 @ 3800rpm
* Gewicht (kg)	89	90
Vibrationskraft (kN)	15	15
Frequenz (Hz)	85	85
Maximale Fahrgeschwindigkeit (m/min)	24	24
Verdichtungskraft (kg/m ²)	485	485
** Dreidimensionale Vibration (m/sec ²)	2.7	2.7
Schalldruckpegel (dB(A))	105	105

* Gewicht beinhaltet den Wassertank und die Transportvorrichtung (Teilenummern 13 und 14 in der Teileliste)

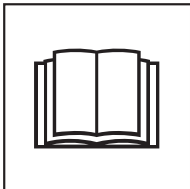
** En500 Part 4 Unterer Füllstand.



- A. Sicherheitsaufkleber
- B. Lärmaufkleber
- C. Motordrehzahl-Aufkleber
- D. Aufnahmepunkt-Aufkleber
- E. Rad-Kit Einbau Aufkleber



A - Sicherheitsaufkleber (Teil Nr. 19.0.373)



Lesen Sie bitte
die Gebrauchsan-
weisung



Tragen Sie
Schutzschuhe



Tragen Sie
Gehörschutz



Tragen Sie
Augenschutz

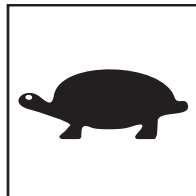
B - Lärmaufkleber (800/99951)

Der Lärmpegel der Maschine während des Betriebs ist 105 dB(A)

C - Motordrehzahl-Aufkleber

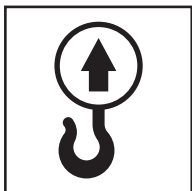


Stellung schnelle
Motorgeschwind-
igkeit



Stellung niedrige
Motorgeschwind-
igkeit

D - Aufnahmepunkt-Aufkleber



Aufnahmepunkt

E - Rad-Kit Einbau Aufkleber (800/99420)

Finden Sie im Abschnitt "Montagehinweise" dieser Website, um Erläuterungen.

Sichere Entsorgung.



Hinweise für den Umweltschutz. Ihre Maschine enthält wertvolle Werkstoffe. Übergeben Sie daher die Maschine nach Ende der Nutzdauer zur Entsorgung einem geeigneten Recycling-Betrieb.

Komponente	Material
Betriebshebel	Stahl
Grundplatte	Stahl
Exzentergewichte	Stahl
Rüttlerteil	Aluminium
Gehäuse des Benzinmotors	Aluminium
Motorabdeckungen	Synthetisches Material
Verschiedene Teile	Stahl und Aluminium

Warum Rütteln?

Rückgefüllter Bodenaushub oder neu eingefüllter Boden, Packlagen und Decklagen haben kleine Hohl- oder Lufträume, die unterschiedliche Probleme verursachen können, wenn keine Verdichtung erfolgt.

1. Beim Befahren nicht verdichteter Oberflächen wird das Material komprimiert. Die Oberfläche sinkt dann unter Füllung der Hohlräume ein.
2. Eine ähnliche Situation tritt bei statischer Belastung von nicht verdichteten Flächen ein. Lasten (z.B. Gebäude) sinken.
3. Material mit Hohlräumen ist wasserdurchlässiger, was zu Erosion führen kann. Wassereindringen kann auch zur Ausdehnung des Bodens bei Frost und zu Schrumpfung bei trockener Witterung führen. Ausdehnung und Schrumpfung ist eine der häufigsten Ursachen von Fundamentschäden und kann ein Absteifen notwendig machen.

Verdichten steigert die Dichte des Materials und verbessert demgemäß die Tragfähigkeit. Es reduziert das Hohlraumvolumen und damit das Risiko einer Setzung, sowie von Ausdehnung und Schrumpfung durch Wassereindringen.

Allgemeine Sicherheit

Bitte lesen Sie im Interesse Ihrer persönlichen Sicherheit und im Interesse der Sicherheit anderer Personen in Ihrer Umgebung die nachfolgenden Sicherheitsinformationen sorgfältig durch und vergewissern Sie sich, dass Sie diese auch verstanden haben. Es liegt in der Verantwortung des Betreibers sicherzustellen, dass er/sie genau über den sicheren Betrieb dieses Gerätes Bescheid weiß. Wenn Sie nicht genau wissen, wie der Plattenverdichter PCX 17/50A sicher und korrekt betrieben wird, so wenden Sie sich bitte an Ihren Vorgesetzten oder die Altrad Belle.



WARNEN

Falsche Bedienung oder Instandhaltung ist gefährlich. Vor der Ausführung von Instandhaltungs- und Reparaturarbeiten bitte unbedingt diesen Abschnitt lesen.

- Das Gerät ist schwer und sollte nicht von einer Person allein gehoben werden – **ORGANISIEREN SIE HILFE** oder verwenden Sie ein passendes Hebegerät.
- Sperren Sie den Arbeitsbereich ab und sorgen Sie dafür, dass unbeteiligte und unbefugte Personen den erforderlichen Sicherheitsabstand einhalten.
- Das Bedienungspersonal muss während des Betriebes des Geräts immer eine vollständige persönliche Schutzausrüstung (PSA) im Sinne des Arbeitsrechts tragen (s. auch Abschnitt Gesundheit und Sicherheit).
- Vergewissern Sie sich **VOR** dem Einschalten des Gerätes, wie dieses im Fall von Schwierigkeiten sicher ausgeschaltet werden kann.
- Schalten Sie vor dem Transport, vor einer Standortveränderung oder vor Wartungsarbeiten den Motor immer AUS.
- Während des Betriebes wird der Motor sehr heiß. Lassen Sie diesen daher abkühlen, bevor Sie ihn berühren. Lassen Sie den Motor niemals unbeaufsichtigt laufen.
- Entfernen oder verändern Sie niemals Schutzvorrichtungen – diese dienen Ihrem Schutz. Kontrollieren Sie immer den Zustand und die Sicherheit der Schutzvorrichtungen, und wenn diese beschädigt sind oder fehlen, dürfen Sie das **GERÄT** so lange **NICHT VERWENDEN**, bis die Schutzvorrichtung entweder ersetzt oder repariert worden ist.
- Benutzen Sie das Gerät nicht, wenn Sie krank oder müde sind bzw. wenn Sie unter dem Einfluss von Alkohol oder Drogen stehen.

Treibstoffsicherheit



WARNEN

Kraftstoffe sind leicht brennbar. Sie können schwere Verletzungen und Sachschäden verursachen. Vor dem Nachfüllen von Kraftstoff Motor abstellen. Kein offenes Feuer. Rauchverbot. Verschütteten Kraftstoff sofort aufnehmen und entsorgen.

- Schalten Sie vor dem Auftanken den Motor aus und lassen Sie diesen abkühlen.
- Während des Betankens dürfen Sie **NICHT RAUCHEN** und kein offenes Feuer in der Umgebung unterhalten.
- Verschütteter Treibstoff muss mit Hilfe von Sand sofort gesichert werden. Wechseln Sie Ihre Kleidung, falls diese mit verschüttetem Treibstoff in Berührung gekommen ist.
- Lagern Sie den Treibstoff in einem dafür genehmigten und für diesen Zweck gefertigten Behälter. Halten Sie diesen von Hitze und Zündquellen fern.



ArbeitsschutzSchwingungen

Vibration

Ein Teil der Vibrationen wird während des Arbeitsvorganges über den Griff auf die Hände der bedienenden Person übertragen. Beachten Sie bitte die Spezifikationen und Technischen Daten für Vibrationsstärken und Einsatzzeiten (empfohlene Maximalzeit pro Tag). Die maximalen Einsatzzeiten dürfen NICHT überschritten werden.

Persönliche Schutzausrüstung (PSA)

Passende PSA ist während des Betriebes des Geräts zu verwenden, z. B. Schutzbrillen, Handschuhe, Ohrenschützer, Staubmasken sowie Arbeitsschuhe mit Zehenschutz-Stahlkappen und zusätzlich rutschfesten Sohlen. Verwenden Sie für die Arbeit passende Kleidung. Schützen Sie Ihre Haut immer vor dem Kontakt mit Beton.

Staub

Während des Verdichtungsvorganges kann Staub aufwirbeln, der für Ihre Gesundheit eine Gefahr darstellen kann. Tragen Sie immer eine dem auftretenden Staubtyp angemessene Staubschutzmaske.

Treibstoff

Schlucken Sie keinen Treibstoff bzw. inhalieren Sie keine Treibstoffdämpfe. Vermeiden Sie den Kontakt mit der Haut. Entfernen Sie eventuelle Treibstoffspritzer umgehend. Falls Treibstoff in Ihre Augen kommt, spülen Sie die Augen mit reichlich Wasser und suchen Sie schnellstmöglich einen Arzt auf.

Auspuffrauch

Benutzen Sie Ihren PCX 17/50A nicht in geschlossenen Räumen bzw. bei beengten Raumverhältnissen und sorgen Sie dafür, dass der Arbeitsbereich ausreichend belüftet ist.



WARNUNG

Die Auspuffgase dieses Geräts sind hochgiftig. Lebensgefahr!



Kontrollen Vor Dem Start

Kontrolldurchsicht vor dem Einsatz

Die nachfolgende Kontrolldurchsicht muss sowohl vor jedem Arbeitseinsatz als auch nach jeweils vier Stunden Betrieb durchgeführt werden. Genaue Anweisungen entnehmen Sie bitte dem Abschnitt Service. Falls Störungen erkannt werden, darf die PCLX erst nach der Behebung der Störungen benutzt werden.

1. Kontrollieren Sie die PCX 17/50A genau, um Anzeichen von Schäden zu entdecken. Kontrollieren Sie, dass der Riemenschutz vor Inbetriebnahme der Maschine gesichert ist.
2. Kontrollieren Sie die Schläuche, die Verschlüsse der Füllvorrichtungen, die Ablassöffnungen sowie andere Bereiche auf Anzeichen von Lecks. Reparieren Sie eventuell auftretende Lecks vor der Inbetriebnahme.
3. Kontrollieren Sie den Ölstand des Motors und füllen Sie im Bedarfsfall Öl nach.
4. Kontrollieren Sie die vorhandene Treibstoffmenge und ergänzen Sie nach Bedarf.
5. Stellen Sie sicher, dass es keine Treibstoff- oder Öllecks gibt.



Bedienung des Rüttlers

• Transport des Verdichtungsgerätes an den Einsatzort

Wenn für die richtige Positionierung des PCX 17/50A der Einsatz eines Hebeegerätes notwendig wird, müssen Sie sicherstellen, dass das Hebegerät über eine für das Gewicht des PCLX ausreichende Hebekraft verfügt (s. Abschnitt Technische Daten bzw. Se rienschild am Gerät). Befestigen Sie entsprechende Ketten oder Schlaufen ausschließlich an der oben befindlichen Anschlagöse des PCX 17/50A.

- Lassen Sie NIEMALS den Motor laufen, während Sie den PCX 17/50A transportieren oder umsetzen, auch wenn es nur für einen kurzen Weg ist.

- Wenn Sie die im Abschnitt Vor dem Start vorgeschriebenen Kontrollen ausgeführt haben, können Sie den Motor starten. Die PCX 17/50A Verdichtungsgeräte der Altrad Belle sind mit Zentrifugalkupplungen ausgestattet, die den Standbetrieb des Motors ohne die Aktivierung des Vibrators erlauben. Wenn die Motordrehzahl erhöht wird, so wird die Kupplung aktiviert und der Vibrator in Gang gesetzt. Für einen optimalen Betrieb sollte der Motor mit maximaler Drehzahl laufen.

• Stellen Sie den Gashebel auf Vollgas und lenken bzw. drehen Sie den PCX 17/50A mittels Kontrollgriff.

Der Vibrator wird nicht nur die Bodenplatte zum Vibrieren bringen, sondern sie auch nach vorne bewegen. Während eines normalen Betriebes sollten Sie den PCX 17/50A nicht schieben müssen. Das Gerät sollte sich mit seiner eigenen Geschwindigkeit fortbewegen können. Die Bewegungsgeschwindigkeit hängt von der Beschaffenheit der Oberfläche ab. Falls es sich bei der zu verdichtenden Oberfläche um einen Hang handelt, so ist bei der Kontrolle der Bewegungsrichtung des PCX 17/50A große Vorsicht geboten. Befestigen Sie im Bedarfsfall ein passendes Seil an einem niedrigen Punkt am Chassis des PCX 17/50A, um dadurch einem Helfer die Möglichkeit zu geben, einen Teil des Gewichtes des PCX 17/50A zu übernehmen. Arbeiten Sie an einem Hang immer in gerader Linie aufwärts und abwärts, niemals quer.

- **Bearbeiten Sie die Oberfläche mit dem PCX 17/50A in planvoller Weise so lange, bis die erforderliche Verdichtung erreicht ist.** Wenn mehrere und verschiedene Schichten übereinander verdichtet werden sollen, verdichten Sie jede Schicht einzeln.

Bedienung des Rüttlers

D

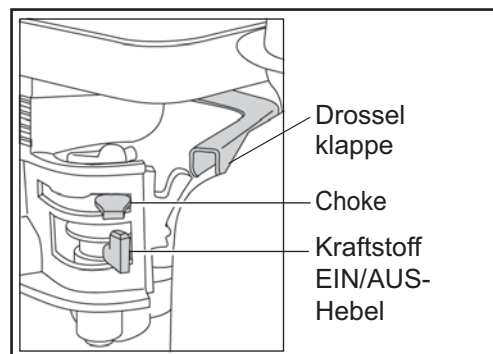


WARNUNG

Vor Benutzung der Maschine bzw. vor der Ausführung von Instandhaltungsarbeiten **MÜSSEN SIE SICH MIT DEM INHALT DIESER ANLEITUNG VERTRAUT MACHEN !**

Honda GX120 & GX160

1. Kraftstoffhahn durch Drehen des EIN AUS Hebels nach rechts öffnen.
2. Bei Motor-Kaltstart, Choke in EIN-Stellung bringen. Hierzu den Choke-Hebel ganz nach links drehen. Beim Neustart mit warmem Motor wird gewöhnlich kein Choke benötigt, wenn nicht der Motor bereits teilweise abgekühlt ist. Dann kann teilweise Choke-Öffnung notwendig sein.
3. Motor-EIN/AUS-Schalter nach rechts in die „I“_Position drehen.
4. Drosselklappe in die Leerlaufstellung bringen. Dazu den Drosselklappenzug ganz nach rechts stellen. Motor nicht in dieser Stellung starten, weil der Rüttler dann sofort beim Motorstart anfängt zu rütteln.
5. Den Steuergriff mit einer Hand festhalten, dann den Schwungradstartergriff mit der anderen ziehen, bis ein Widerstand spürbar wird, dann zurücklaufen lassen.
6. Starterzug kräftig ziehen, aber darauf achten, dass der Starterzug nicht über seine gesamte Länge ausgezogen wird.
7. Vorgang bis zum Zünden des Motors wiederholen.
8. Nach dem Zünden CHOKE-Zug wieder in die AUS-Position (Rechtsdrehung) stellen.
9. Zündet der Motor auch nach mehreren Versuchen nicht, Hinweise für die Fehlersuche anwenden.
10. Zum Motorabstellen, Drosselklappe in Leerlaufstellung bringen und Motor-EIN/ AUS-Schalter nach links in die „0“-Stellung bringen.
11. Kraftstoffzufuhr absperren.



Hinweise für die Fehlersuche

D

Problema	Mögliche Ursache	Abhilfe
Motor no arranca.	Kein Kraftstoff.	Kraftstoffhahn öffnen. Kraftstofftank füllen.
	Motor abgestellt	Motor Einschalten.
	Verschmutzte Zündkerze	Reinigen und Elektrodenabstand neu Einstellen
	Motor Kalt	Choke schließen
	Motor Obgesoffen.	Honda, Drossel ganz öffnen, dann Starterzug betätigen. Bis motor Züngen.
Motor immer noch nicht an.	Wichtige Fehler	Kundendienststelle Benachrichtigen
Gerät schwingt nicht.	Motordrehzahl zu gering	Drehzahl erhöhen.
	Triebriemen Lose	Riemen nachjustieren.
	Blockierter Luftfilter.	Reinigen oder ersetzen
	Rüttelwerk Fehlerhaft.	Kundendienststelle Benachrichtigen.
	Rüttelwerk ausgefallen	Kundendienststelle Benachrichtigen.
Asphalt bleibt an Platte hängen.	Mangelhafte Schmierung.	Wasserstrahlssystem benutzen.
Abblättern von bitumenhaltigen Decken.	Zu stark Verdichtung.	Entfernen und neu verlegen.
Zu geringer Vorschub (Platte sinkt).	Schichtdicke zu hoch.	Material teilweise entfernen.
	Feuchtegehalt zu hoch Oder zu. niedrig.	Material abnehmen und dicke anpassen.

Instandhaltung

Die Verdichtungsgeräte PCX 17/50A der Altrad Belle sind für einen langjährigen und problemlosen Betrieb ausgelegt. Wir empfehlen Ihnen, alle wichtigen Wartungs- und Reparaturarbeiten von einem durch die Altrad Belle autorisierten Händler durchführen zu lassen. Verwenden Sie immer Originalersatzteile der Altrad Belle, da gefälschte Ersatzteile u. U. zum Erlöschen der Garantie führen können.

Schalten Sie den Motor aus, bevor Sie am Gerät Wartungsarbeiten vornehmen und ziehen Sie das Zündkabel von der Zündkerze ab.

Stellen Sie den PCX 17/50A immer waagrecht ab, damit alle Flüssigkeitsstände korrekt gemessen werden können. Verwenden Sie nur empfohlene Schmiermittel (Siehe Tabelle unten).

Einlaufzeit

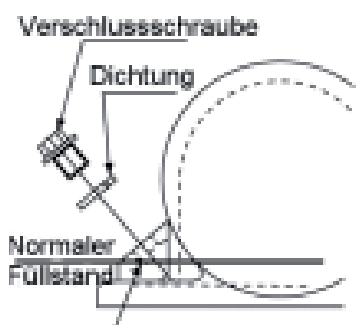
Wenn der PCX 17/50A fabrikneu in Betrieb genommen wird, muss das Motoröl nach der vorgesehenen Einlaufzeit gewechselt werden (Sie finden alle Details im Handbuch für den Motor). Das Öl im Schaft des Vibrators muss erstmals nach 100 Betriebsstunden gewechselt werden, anschließend nach jeweils 500 Betriebsstunden. Nähere Informationen zum Gehäuse des Vibratorschafts und zum Ölwechsel finden Sie im Abschnitt Vibratoreinheit.

Die Riemenspannung nach 4 Betriebsstunden zu kontrollieren.

Rutinemæssig vedligeholdelse		Alle 4 Stunden	1 Monat / 20 H	3 Monate / 50 H	6 Monate / 100 H
Motoröl	Füllstands - Kontrolle	✓			
	Weschel		✓		✓
Luftfilter	Kontrolle / Reinigen		✓		✓
	Nach Bedarf erneuern / Alle 12 Stunden				
Zündkerze	Weschel				✓
Treibriemen	Spannung	✓	✓	✓	

Öl-/ Kraftstofftyp & mengen - Zündkerzentyp

	Olietype	Hoeveel	Brandstofftype	Inhoud	Bougietype	Elektroden -afstand (mm)
Otto Motor Honda GX120	S.A.E. 10W 30	0.6ltr	Blyfri	2.5ltr	BM6ES or BPR6ES	0.7 - 0.8
Otto Motor Honda GX160	S.A.E. 10W 30	0.6ltr	Blyfri	3.6ltr	BM6ES or BPR6ES	0.6 - 0.7
Rüttel	S.A.E. 10W 40	0.3ltr	Enfällt	Enfällt	Enfällt	Enfällt



Rüttelteil.

Unterer Teil des Schraubengewindes Verschlusschraube komplett mit Dichtung entfernen. Kontrollieren, ob der Ölstand gerade die unterste Gewindesteigung der Verschlusschraube erreicht. Erforderlichenfalls mit Öl der korrekten Qualität nachfüllen (siehe Tabelle).

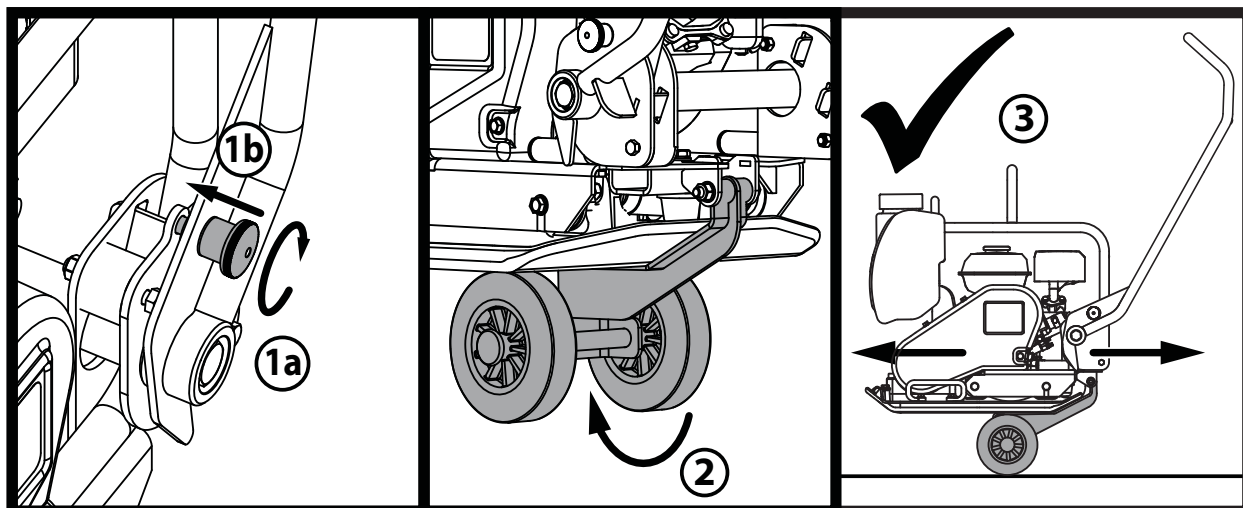
Bei der Wartung dieses Produkts dürfen nur Originalersatzteile des Herstellers verwendet werden.

Der Benutzer verliert alle möglichen Ansprüche, wenn die verwendeten Ersatzteile nicht die Originalersatzteile des Herstellers sind.

Eine PDF-Datei mit Teilleisten für dieses Produkt finden Sie im Bereich "Produkt" auf unserer website www.Altrad-Belle.com. Informationen zur Beschaffung von Ersatzteilen bei Ihrem Händler vor Ort finden Sie im Abschnitt "Kontakt"

Montagehinweise

D



Gewährleistung

D

Den neuen ‚PCX‘-Einachsenrüttler von Altrad Belle ‚PCX‘ gewährleisten wir für einen Zeitraum von einem Jahr (12 Monate) gerechnet ab dem ursprünglichen Kaufdatum. Diese Gewährleistung gilt für den ersten Käufer. Diese Gewährleistung erstreckt sich auf Konstruktions- und Materialfehler und Sachmängel.

Die Altrad Belle Gewährleistung gilt in folgenden Fällen nicht:

1. Mutwillige Schäden, Schäden durch Missbrauch, Aufprallschäden oder ähnliche Schäden, die durch Nichtbeachtung der Montage-, Benutzungs oder Instandhaltungsanweisungen verursacht worden sind.
2. Änderungen oder Reparaturen, die von anderen als Altrad Belle oder deren anerkannte Kundendienststellen durchgeführt worden sind.
3. Transport- oder Versandkosten an und von Altrad Belle oder deren anerkannte Kundendienststelle zu Reparaturzwecken, oder zur Kontrolle von Maschinen bei Garantieansprüchen.
4. Material- und Lohnkosten für die Erneuerung, Reparatur oder den Ersatz von Teilen, die natürlichem Verschleiß unterliegen.

Nachfolgende Teile sind von unserer Gewährleistung ausgeschlossen:

- Treibriemen
- Motor-Luftfilter
- Zündkerzen

Altrad Belle und deren Beauftragte, Geschäftsführer, Mitarbeiter oder Versicherer übernehmen keinerlei Haftung für Folge- oder andere Schäden oder Kostenerstattungsansprüche die darauf beruhen, dass sich die Maschine nicht für einen bestimmten Zweck verwenden lässt.

Garantiefall

Im Garantiefall wenden Sie sich bitte zunächst entweder telefonisch, per Fax, E-Mail oder schriftlich an die Altrad Belle.

Rufnummern für Garantieansprüche:

Tel: +44(0)1298 84606

Fax: +44(0)1298 84073

Email : Warranty.dept@altrad-belle.com

Korrespondenzanschrift:

Altrad Belle Warranty Department,
Sheen, Nr. Buxton
Derbyshire
SK17 0EU
England

Garantiregistrierung:

Im Bemühen, ALTRAD Belle noch grüner und umweltfreundlicher zu gestalten, haben wir jetzt eine Online-Garantiregistrierung eingeführt. Um auf die Registrierungsseite unserer Internetpräsenz zu gelangen, nutzen Sie bitte die folgende Adresse:

http://www.bellegroup.com/index.php?p=warranty_registration

Andernfalls können Sie auch den beigefügten QR-Code (Quick Response Code) einscannen, um die Registrierungsseite über Ihr Handy aufzurufen.





Come Usare Questo Manuale

Questo manuale è fornito per aiutare l'utente ad utilizzare ed eseguire la manutenzione della piastra vibrante in maniera sicura. Il manuale è destinato ai rivenditori e agli operatori della piastra vibrante.

Prefazione

La sezione '**Ambiente**' contiene istruzioni su come gestire in maniera ecologica il riciclaggio della macchina da smaltire.

La sezione '**Descrizione della macchina**' aiuta l'utente ad acquistare familiarità con i comandi e le funzioni della macchina.

Le sezioni '**Sicurezza generale e Sicurezza e prevenzione infortuni**' spiegano come usare la macchina onde assicurare la sicurezza dell'utente e del pubblico in generale.

Le sezioni '**Istruzioni operative**' aiutano nell'assemblaggio e nell'uso della macchina.

La guida di '**Risoluzione dei problemi**' aiuta l'utente ad avviare ed arrestare la macchina.

La sezione '**Manutenzione**' aiuta l'utente nel caso di problemi nell'uso della macchina.

La sezione '**Garanzia**' descrive la copertura offerta dalla garanzia e la procedura per le richieste di risarcimento.

Direttive relative alle notazioni.

Il testo che nel presente manuale, deve essere letto con particolare attenzione e evidenziato nel modo seguente:



ATTENZIONE

Il prodotto presenta dei rischi. La mancata osservanza delle corrette procedure può arrecare danni alla macchina o causare infortuni all'utente.



AVVERTENZA

La vita dell'operatore può essere a rischio



Avvertenza



AVVERTENZA

*Prima di azionare questa macchina o eseguire su di essa qualsiasi intervento di manutenzione **BISOGNA LEGGERE e STUDIARE** il presente manuale.*

SAPERE come usare in maniera sicura i comandi della macchina e come eseguire la manutenzione in maniera sicura.

(N.B. Assicurarsi di sapere spegnere la macchina prima di accenderla, nel caso ci si dovesse trovare in difficoltà).

Indossare o usare SEMPRE il corretto equipaggiamento di sicurezza per la protezione personale.

Per **QUALSIASI** DOMANDA sull'uso o la manutenzione di sicurezza di questa macchina, **RIVOLGERSI AL PROPRIO SUPERVISORE OPPURE ALLA Altrad Belle. +44 (0) 1298 84606**

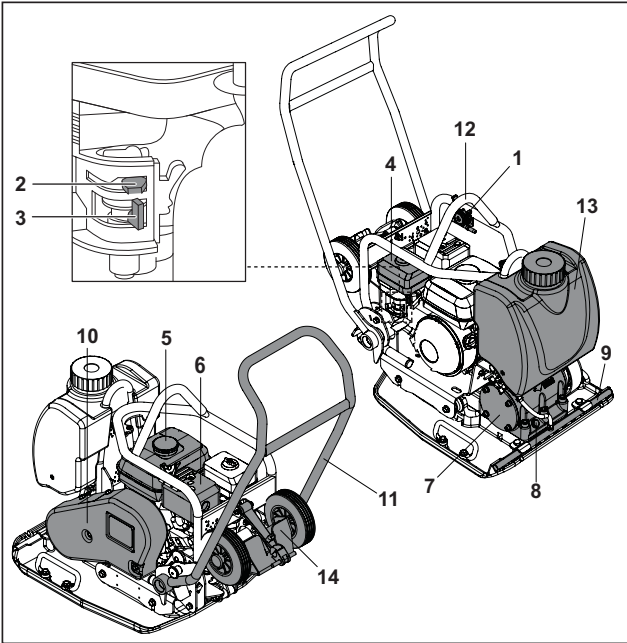


Indice

Come usare il presente manuale.....	50
AVVERTENZA.....	50
Descrizione della macchina.....	51
Dati Tecnici.....	51
Adesivi.....	52
Ambiente.....	53
Motivi per la compattazione.....	53
Istruzioni di sicurezza.....	53
Sicurezza e prevenzioni Infortuni.....	54
Controlli di sicurezza (Pre- avvio).....	54
Istruzioni operative.....	54 - 55
Guida alla risoluzione dei problemi.....	55
Manutenzione.....	56
Parti di ricambio.....	56
Istruzioni per il montaggio.....	57
Garanzia.....	57
Dichiarazione di conformità CE/UE.....	8

Altrad Belle se reserva el derecho de alterar las especificaciones sin previa notificación ni obligación alguna.

Descrizione della macchina



1. Leva dell' acceleratore,
2. Leva dell'aria,
3. Leva ON/OFF del carburante,
4. Copertura del filtro d'aria,
5. Serbatoio del carburante,
6. Marmitta,
7. Gruppo vibratore,
8. Tappo per il controllo del livello dell' olio del vibratore,
9. Punto di allaccio per il sistema ad acqua,
10. Protezione per la cinghia,
11. Maniglia di controllo,
12. Telaio di sollevamento,
13. Serbatoio d'acqua,
14. Kit ruote

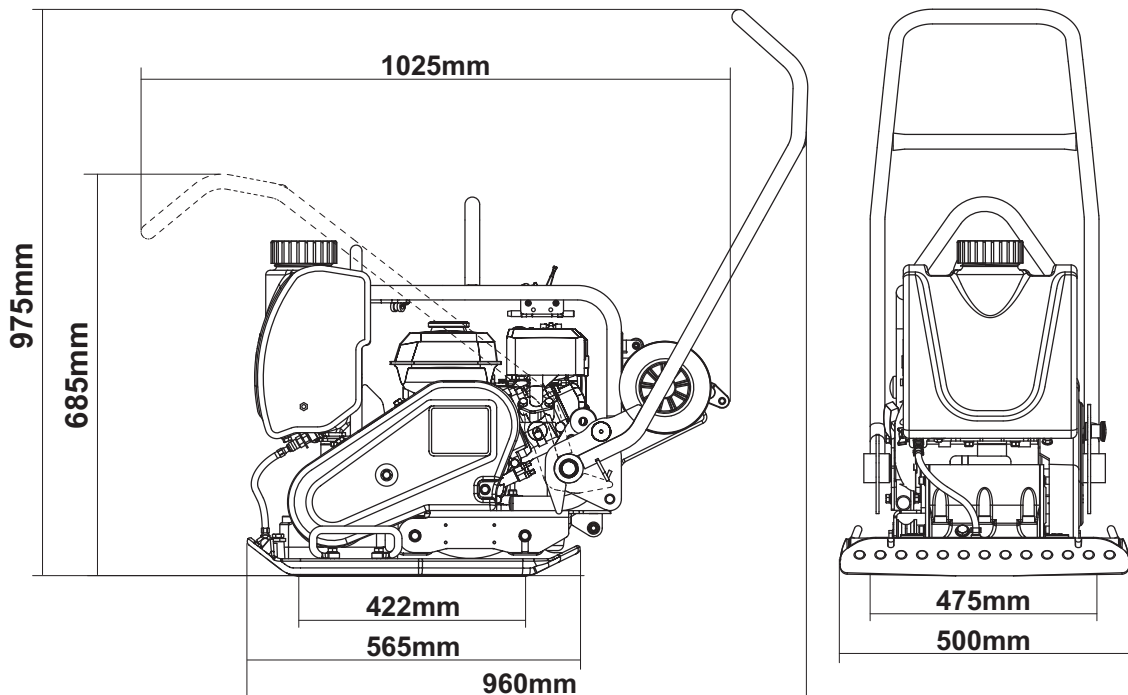
Dati Tecnici



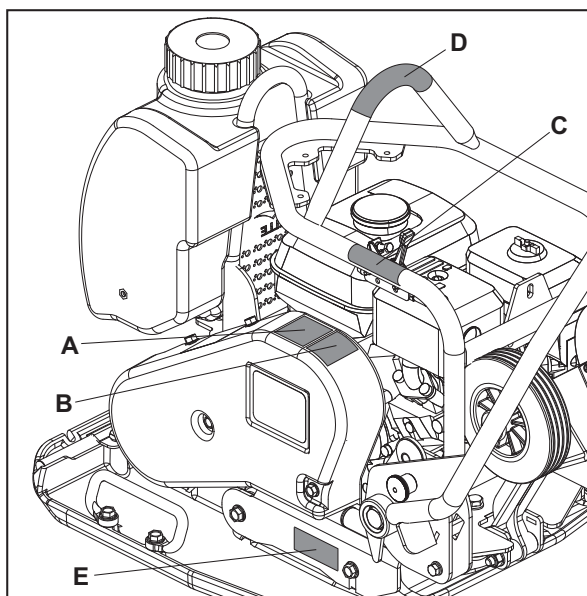
Modello	Honda GX120	Honda GX160
Modello del Motore	Honda GX120	Honda GX160
Potenza del motore (Hp/kW)	4.0/3.0 @ 3800rpm	5.5/4.4 @ 3800rpm
* Peso (kg)	89	90
Forza di vibrazione (kN)	15	15
Frequenza (Hz)	85	85
Massima Velocità di lavoro (m/min)	24	24
Forza di compattazione (kg/m ²)	485	485
** Vibrazioni dei 3 assi (m/sec ²)	2.7	2.7
Livello della potenza del suono (dB(A))	105	105

* Il Peso include kit serbatoio d'acqua e kit ruote (voci 13 e 14 della descrizione macchina)

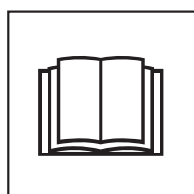
** Livello minimale EN500 Parte 4



- A. Adesivo di Sicurezza
- B. Adesivi Acustico
- C. Adesivo Velocità Motore
- D. Adesivo Gancio
- E. Adesivo Ruota Kit Montaggio



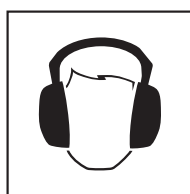
A - Adesivo di sicurezza (Part No. 19.0.373)



Leggere manuale dell'operatore



Indossare scarpe protettive



Indossare protezione per l'orecchie

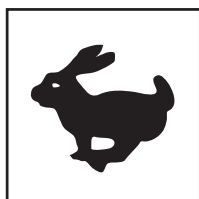


Indossare protezione per gli occhi

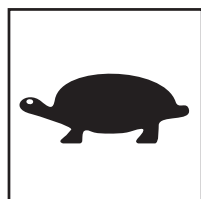
B - Adesivo acustico (800/99951)

Il livello acustico della macchine è 105 dB(A)

C - Adesivo Velocità motore

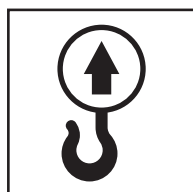


Posizione velocità massima



Posizione velocità minima

D - Adesivo Gancio



Gancio

E - Adesivo Ruota Kit Montaggio (800/99420)

Si prega di consultare la sezione 'Istruzioni per il montaggio' di questo sito per la spiegazione.

Ambiente

I

Smaltimento sicuro.



Istruzioni per la salvaguardia dell'ambiente.
La macchina contiene materiali di valore. Portare la macchina e gli accessori da smaltire ai centri di riciclaggio adatti.

Componenti	Materiale
Maniglia di Tenuta	Acciaio
Piastra Base	Acciaio
Pesi Eccentrici	Acciaio
Gruppo Vibratore	Alluminio
Protezione del motore a Benzina	Alluminio
Copertura del motore a Benzina	Materiali Sintetici
Parti Varie	Acciaio e alluminio

Motivi per eseguire la compattazione

I

Un Terreno che sia stato manomesso oppure un nuovo riporto, sottofondo o composto bituminoso per il manto d'usura, presenterà dei piccoli vuoti o sacche d'aria che se non compattate, determineranno l'insorgere problemi.

1. Mano a mano che il traffico stradale percorre la superficie di una zona non compattata, il materiale viene compresso. Ciò causa lo sprofondamento del manto stradale, mano a mano che il materiale riempie gli spazi vuoti.
2. Una situazione simile si verifica con carichi statici su un suolo non compattato. Il carico (ad ed. Un edificio) sprofonderà.
3. I materiali contenenti spazi vuoti sono più soggetti ad infiltrazioni d'acqua con conseguente erosione. L'ingresso di acqua potrebbe causare anche l'espansione del terreno durante temperature congelanti e contrarsi durante periodi secchi. L'espansione e la contrazione sono le cause maggiori di danno nel costruire le fondamenta e generalmente portano a una struttura richiesta corroborante

La compattazione incrementa la densità del materiale e pertanto ne incrementa la capacità. Riduce i vuoti d'aria e pertanto riduce il rischio di sprofondamento, espansione e contrazione dovuti ad infiltrazioni d'acqua.

Sicurezza generale

I

Per la protezione dell'utente e per la sicurezza delle persone presenti si prega di leggere ed assicurarsi di comprendere a fondo le seguenti istruzioni di sicurezza.

È responsabilità dell'operatore assicurarsi che egli/ella abbia compreso a fondo in che modo azionare in maniera sicura la presente apparecchiatura.

Se non si è sicuri circa l'uso corretto e sicuro della piastra vibrante, consultare il proprio supervisore o la Altrad Belle.



ATTENZIONE

La manutenzione o l'uso improprio possono risultare pericolosi. Leggere e comprendere la presente sezione prima di eseguire qualsiasi intervento di manutenzione, servizio o riparazione.

- Questo macchinario è pesante e non deve essere sollevata da una singola persona, Chiedere aiuto o usare un attrezzatura di sollevamento.
- Transennare l'area di lavoro e mantenere membri del pubblico e personale non autorizzato ad una distanza di sicurezza.
- L'attrezzatura di protezione personale (PPE) deve essere indossata dall'operatore ogni qualvolta debba usare la macchina. (consultare sezione sicurezza e prevenzione infortuni).
- Assicurarsi di sapere in che modo **DISATTIVARE** in maniera sicura questa macchina prima di **AVVIARLA** nell'eventualità ci si trovasse in difficoltà.
- Spegnerne sempre il motore prima di trasportare la macchina, muoverla intorno all'aria di lavoro o rivisionarla.
- Durante l'uso il motore diventa molto caldo. Permettere al motore di raffreddarsi prima di toccarlo.
- Mai lasciare il motore avviato incustodito.
- Mai rimuovere o manomettere gli schermi protettivi fissati, essi sono per la protezione personale. Controllare sempre gli schermi per le condizioni di sicurezza, se essi sono danneggiati o rotti non usare la macchina finché lo schermo non sia stato riparato o sostituito.
- Non lavorare con la sega quando si è malati o si sente stanchi o si è sotto l'effetto di alcool o medicinali.

Sicurezza del carburante



ATTENZIONE

Il carburante è infiammabile. Esso può causare infortuni e danni. Spegnerne il motore, estinguere tutte le fiamme scoperte e non fumare durante il rifornimento del serbatoio. Lavare qualsiasi traccia di carburante versato.

- Prima del rifornimento di carburante spegnere il motore e lasciarlo raffreddare.
- Durante il rifornimento di carburante **NON** fumare ed evitare di avvicinare fiamme scoperte all'area di lavoro.
- Le fuoriuscite di carburante devono essere asportate immediatamente in maniera sicura, usando della sabbia. Se il carburante viene versato sugli indumenti cambiarli!
- Conservare il carburante in un contenitore approvato adatto allo scopo e lontano da fonti di calore e di combustione.



Sicurezza e prevenzione infortuni

Vibrazioni

Una parte delle vibrazioni create dall'operazione di compattazione viene trasmessa attraverso l'impugnatura alle mani e braccia dell'operatore. La gamma di piastre Vibranti Altrad Belle è stata progettata per ridurre i livelli di vibrazioni trasmessi alle mani e alle braccia dell'operatore. Consultare i dati tecnici per i livelli delle vibrazioni ed i tempi di utilizzo (tempo Massimo di esposizione quotidiana consigliato). NON superare i tempi massimi di utilizzo.

PPE (Attrezzatura di protezione personale).

Un' idonea attrezzatura PPE deve essere indossata durante l'uso della presente apparecchiatura; ossia, occhiali di sicurezza, guanti, cuffie insonorizzanti, mascherina antipolvere e scarponi con puntale in acciaio.

Indossare indumenti idonei al lavoro che si sta svolgendo. Legare i capelli se lunghi e togliere qualsiasi monile che potrebbe impigliarsi nelle parti mobili dell'apparecchiatura.

Polvere

Il processo di compattazione produrrà occasionalmente della polvere che può essere nociva per la salute. Indossare sempre una maschera adatta al tipo di polvere che viene prodotto.

Carburante

Non ingerire carburante né inalare i vapori del carburante ed evitarne il contatto con la pelle. Lavare immediatamente con dell' acqua qualsiasi spruzzo. In caso di contatto con gli occhi, sciacquare con acqua abbondante e contattare un medico il più presto possibile.

Fumi di scarico

Non azionare la piastra vibrante in un ambiente chiuso o uno spazio ristretto. Assicurarsi che l'area di lavoro sia adeguatamente ventilata.



AVVERTENZA

I fumi di scarico prodotti dalla presente apparecchiatura sono altamente tossici e possono risultare letali!



Controlli di pre-avvio

Ispezione di pre-avvio

La seguente ispezione di pre-avvio deve essere effettuata prima di iniziare qualsiasi sessione di lavoro oppure dopo ogni Quattro ore di impiego secondo quale circostanza si verifichi prima. Si prega di consultare la sezione manutenzione per delle istruzioni dettagliate. Nel caso in cui sorga un qualsiasi guasto, la piastra vibrante non deve essere usata fino alla rettifica del guasto.

1. Ispezionare accuratamente la piastra vibrante onde accertarsi che non presenti traccia di danni. Controllare che i componenti siano presenti e ben fissati. Dedicare particolare attenzione alla protezione di sicurezza della trasmissione a cinghia installata tra il motore ed il Gruppo vibratore.
2. Controllare i tubi, itappi d'apertura le spine e qualsiasi altra zona che potrebbe avere segni di perdita. Riparare qualsiasi perdita prima di iniziare a lavorare.
3. Controllare il livello dell'olio e rabboccare come necessario.
4. Controllare il livello del carburante del motore e rabboccare come necessario.
5. Controllare che non ci siano perdite di olio e di carburante.



Istruzioni operative.

- **Trasportare la piastra vibrante nel luogo richiesto**
Laddove sia necessario usare l'apparecchiatura di sollevamento per posizionare la piastra vibrante, assicurandosi che l'apparecchiatura di sollevamento abbia un WLL (Limite di carico di lavoro) adatto al peso delle piastre vibranti. (consultare la tabella o la targa della macchina). Fissare delle catene o imbragature idonee solo al punto di sollevamento sulla sommità della piastra vibrante.
- Mai lasciare il motore acceso mentre si trasporta o si muove il PCX 17/50A anche se è solo per un breve tratto.
- Avendo effettuato i controlli elencati nella sezione di pre-avvio è possibile avviare il motore.
La gamma RPC Altrad Belle di piastre vibranti è munita di una frizione centrifuga, ciò consente al motore di girare al minimo senza azionare la piastra vibrante. Quando la velocità del motore viene aumentata, la frizione si innesta e aziona il cambio. Per il corretto funzionamento, la velocità del motore deve essere impostata al Massimo.
- **Impostare l'acceleratore al Massimo e usare l'impugnatura di comando per sterzare o ruotare la piastra vibrante.**
Durante il lavoro normale non si dovrebbe spingere la piastra vibrante ma permetterle di muoversi sul posto. La velocità di viaggio sarà determinate dalle condizioni della superficie che deve essere compattata. Se la superficie da compattare è su un pendio, bisogna fare molta attenzione e controllare la direzione di corsa della piastra vibrante. Se necessario, usare una corda idonea fissata alla piastra vibrante al livello di un punto basso del telaio, onde consentire ad un assistente di sostenere parte del peso della piastra vibrante. Su di un pendio, procedere in senso longitudinale non trasversale.
- **Applicare la piastra Vibrante sulla superficie in maniera sistematica fino ad ottenere la corretta compattazione**
Laddove vi sia da compattare un certo numero di strati differenti sovrapposti l'uno all' altro, compattare ciascuno strato individualmente.

Olstruzioni operative.

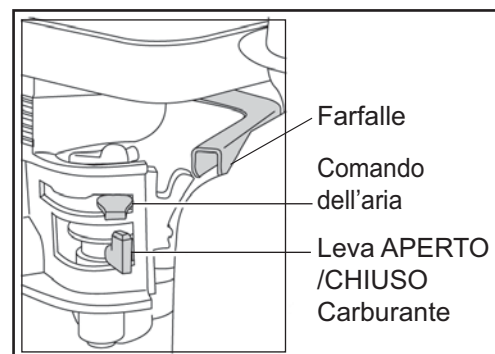


AVVERTENZA

Prima di azionare questa macchina o eseguire su di essa qualsiasi intervento di manutenzione **BISOGNA LEGGERE e STUDIARE** il presente manuale.

Honda GX120.

1. Aprire il rubinetto del carburante spostando le leva di APERTO/CHIUSO del carburante completamente verso destra.
2. Se il motore viene avviato da freddo, impostare su on (INSERITO) il comando dell'aria spostando la relativa leva di comando completamente verso sinistra. Se il motore viene riavviato da caldo, generalmente il comando dell'aria non è richiesto, tuttavia, se il motore si è in qualche modo raffreddato, può essere necessario inserire parzialmente il comando dell'aria.
3. Ruotare l'interruttore di ACCESO/SPENTO del motore in senso orario nella posizione '1'.
4. Impostare l'acceleratore nella posizione di minimo spostando la leva di comando dell'acceleratore completamente verso destra. Non avviare il motore con l'acceleratore al massimo, dato che la piastra vibrante entrerà in funzione non appena viene avviato il motore.
5. Mantenendo con decisione l'impugnatura di comando con una mano, afferrare la maniglia del dispositivo di avviamento a strappo con l'altra mano. Tirare il dispositivo di avviamento a strappo fino ad avvertire resistenza da parte del motore, quindi lasciar andare la maniglia.
6. Facendo attenzione a non tirare completamente la cordicella del dispositivo di avviamento, tirare rapidamente la maniglia del dispositivo di avviamento.
7. Ripetere fino all'accensione del motore.
8. Una volta che il motore si è acceso, impostare gradualmente la leva del comando dell'aria nella posizione OFF (DISINSERIMENTO) spostandola verso destra.
9. Se il motore non si avvia dopo diversi tentativi, vedere la sezione di risoluzione dei problemi in basso.
10. Per spegnere il motore, impostare l'acceleratore al minimo e ruotare in senso antiorario l'interruttore di ACCESO/SPENTO del motore nella posizione '0'.
11. Chiudere la mandata del carburante.



Guida alla risoluzione dei problemi



Problema	Causa	Rimedio
Il motore non parte.	Mancanza di carburante.	Aprire lo sportello di rifornimento. Riempire il serbatoio del carburante.
	Motore spento.	Accendere il motore.
	Candela Sporca	Pulire e regolare la distanza tra gli elettrodi della candela.
	Motor freddo	Chiudere il comando dell'aria
	Motor Ingolfato.	Honda, aprire il comando dell'aria aprire completamente la farfalla, tirare l'avviamento a strappo fino all'accensione del motore.
Motore ancora non si avvia.	Errore Grave.	Contattare l'agente di servizio locale.
L'unità non vibra.	Velocità motore insufficiente	Impostare il comando della velocità del motore a veloce.
	Tensione cinghia di trasmissione allentata.	Regolare la tensione della cinghia di trasmissione.
	Filtro dell'aria ostruito.	Pulire o sostituire il filtro dell'aria.
	Guasto trasmissione.	Contattare l'agente di servizio locale.
	Vibratore Guasto	Contattare l'agente di servizio locale.
Asfalto aderente alla.	Mancanza di lubrificazione.	Usare il sistema di spruzzo dell'acqua.
Sfaldamento della superficie Bituminosa (laminazione).	Compattazione eccessiva.	Asportare e riapplicare.
Velocità di corsa Insufficiente (affondamento della piastra).	Spessore dello strato eccessivo.	Asportare una parte del materiale.
	Contenuto di umidità eccessivo od insufficiente.	Asportare il materiale e regolare.



Revisione e Manutenzione

La gamma (PCX 17/50A) Altrad Belle è stata progettata per offrire molti anni di funzionamento esenti da guasti. Si Raccomanda che un concessionario autorizzato dalla Altrad Belle effettui tutti i principali interventi di manutenzione e riparazione. Usare sempre parti di ricambio originali Altrad Belle, l'uso di parti non originali può invalidare la garanzia.

Prima che venga eseguito qualsiasi intervento di manutenzione sulla macchina, spegnere il motore.

Collocare sempre la piastra vibrante su un terreno pianeggiante onde assicurare la corretta lettura dei livelli dei liquidi. Usare solo gli oli consigliati (vedere la tabella qui sotto).

Periodo di rodaggio

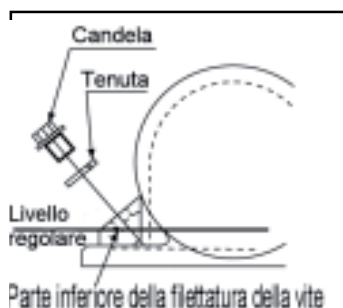
Quando la PCX 17/50A è usata per la prima volta, l'olio del motore deve essere cambiato dopo l'iniziale periodo di rodaggio (vedere il manuale del motore per i dettagli completi). La copertura dell'olio dell'albero vibratore deve essere sostituito dopo le prime 100 ore di utilizzo, in seguito dopo ogni 500 ore di lavoro. Per i dettagli consultare l'unità del vibratore.

La tensione della cinghia dovrebbe essere controllata dopo 4 ore.

Manutenzione Ordinaria		Ogni 4 Ore	Primo Mese / 20 H	3 Mesi / 50 H	6 Mesi / 100 H
Olio Motore	Controllare livello	✓			
	Cambiare		✓		✓
Filtro Aria	Controllo Condizioni / Pulire		✓		✓
	Sostituire quando necessario / ogni 12 mesi				
Candela	Cambiare				✓
Cinghia Di Trasmissione	Tensione	✓	✓	✓	

Tipo e quantità di olio / carburante - Tipo di candela

	Tipo Di Olio	Quantità	Tipo Carburante	Capacità	Tipo Candela	Distanza tra gli elettrodi (mm)
Motore a Benzina Honda GX120	S.A.E. 10W 30	0.6l	Senza Piombo	2.5l	BM6ES or BPR6ES	0.7 - 0.8
Motore a Benzina Honda GX160	S.A.E. 10W 30	0.6l	Senza Piombo	3.6l	BM6ES or BPR6ES	0.6 - 0.7
Vibratore	S.A.E. 10W 40	0.3l	N/A	N/A	N/A	N/A



Gruppo vibratore

Togliere il tappo completo di tenuta, controllare che il livello dell'olio raggiunga la filettatura inferiore sul foro del tappo dell'olio. Rabboccare come necessario con l'olio corretto (consultare la tabella).

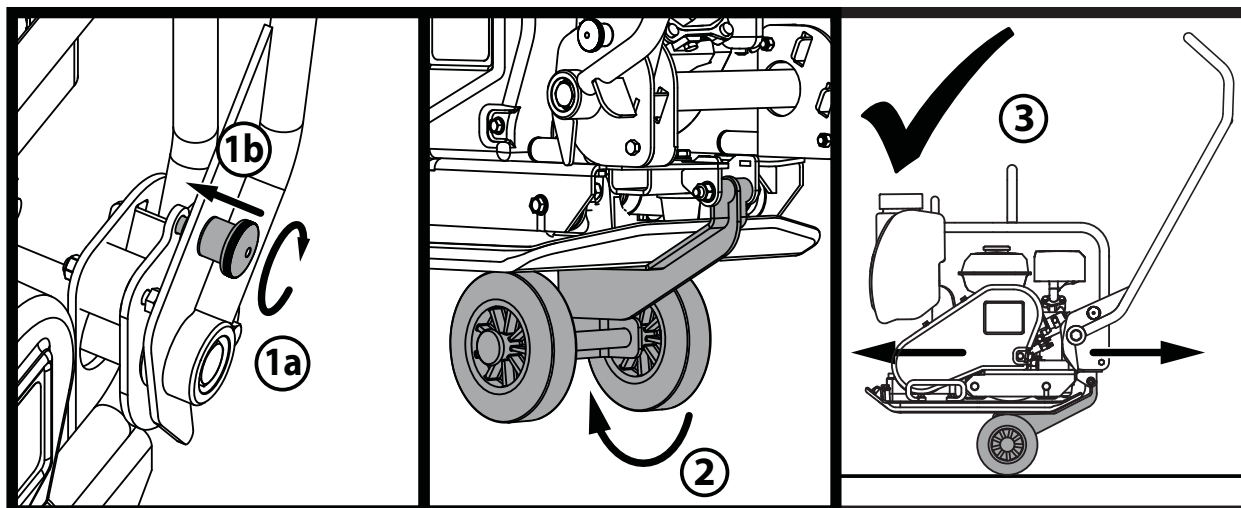


Parti di Ricambio

Durante la manutenzione di questo prodotto, è possibile utilizzare solo parti di ricambio originali e originali del produttore.

L'utente perderà ogni possibile pretesa se le parti di ricambio utilizzate sono diverse dalle parti di ricambio originali del produttore.

È possibile trovare un PDF di elenchi di parti per questo prodotto nella sezione "prodotto" del nostro sito Web www.Altrad-Belle.com. Le informazioni sull'acquisto di parti di ricambio dal rivenditore locale possono quindi essere trovate nella sezione "Contattaci"



1. Girare la maniglia del fermo manopola per bloccare il fermo della maniglia e bloccare la maniglia.
2. Una volta che la maniglia è bloccata in posizione, rilasciare il kit ruote e far scorrere sotto la piastra di base.
3. Con il manico ancora bloccato in posizione, la macchina è ora pronta per essere trasportati utilizzando il kit ruota.

Garanzia

La nuova piastra vibrante a direzione singola "PCX 17/50A" Altrad Belle è coperta da garanzia per l'acquirente originale per un periodo di un anno (12 mesi) a partire dalla data di acquisto originale. La garanzia Altrad Belle copre difetti di progettazione, materiali e lavorazione.

Quanto segue non è coperto dalla garanzia Altrad Belle:

1. Danni causati da abuso, uso improprio, caduta od altri danni simili causati da od in seguito a guasti dovuti alla mancata osservanza delle istruzioni di assemblaggio, funzionamento o manutenzione da parte dell'utente.
2. Alterazioni, aggiunte o riparazioni effettuate da persone diverse dal personale della Altrad Belle o da agenti da essa autorizzati.
3. Costi di trasporto o spedizione alla/dalla Altrad Belle, o loro agenti autorizzati, per la riparazione o la valutazione in base ad una richiesta di risarcimento in garanzia, su qualsiasi macchina.
4. Costi di materiali e/o di lavoro per sostituire, riparare o rimettere a posto componenti a seguito di normale usura e logorio.

I seguenti componenti non sono coperti da garanzia.

- Cinghia/e di trasmissione
- Filtro dell'aria del motore
- Candela del motore

La Altrad Belle e/o i loro agenti riconosciuti, direttori, impiegati od assicuratori non saranno responsabili di danni indiretti o di altra natura, perdite o spese connesse a, od a causa di, o per l'incapacità di usare la macchina per un qualsiasi scopo.

Richieste di risarcimento in garanzia

Tutte le richieste di risarcimento in garanzia devono essere comunicate direttamente al Altrad Belle, per telefono, fax, email o per iscritto.

Per le richieste di risarcimento in garanzia:

Tel: +44(0)1298 84606

Fax: +44(0)1298 84073

Email: Warranty.dept@altrad-belle.com

Scrivere a:

Altrad Belle Warranty Department,
Sheen, Nr. Buxton
Derbyshire
SK17 0EU
Inghilterra

Registrazione della garanzia:

ALTRAD Belle si impegna per un maggior rispetto e tutela delle risorse ambientali, e per questo abbiamo introdotto la registrazione della garanzia online. Per accedere alla pagina di registrazione del nostro sito, si prega di utilizzare il seguente indirizzo:-

http://www.bellegroup.com/index.php?p=warranty_registration

In alternativa, scansionate il codice QR (Quick Response Code) utilizzando il vostro smartphone per accedere alla pagina di registrazione.





BELLE
LIGHT
CONSTRUCTION
EQUIPMENT

ALTRAD BELLE

Sheen, Nr. Buxton, Derbyshire, SK17 0EU, GB

Tel. +44 (0)1298 84606 - Fax +44 (0)1298 84722 - Email: sales@altrad-belle.com

www.Altrad-Belle.com

EU IMPORTER ADDRESS

ADRESSE DE L'IMPORTATEUR - DIRECCIÓN DEL IMPORTADOR - ENDEREÇO DO IMPORTADOR - ADRES IMPORTEUR

IMPORTØRENS ADRESSE - IMPORTEUR ADRESSE - INDIRIZZO DELL'IMPORTATORE - IMPORTÖRENS ADRESS - IMPORTØRADRESSE

MAAHANTUOJAN OSOITE - ADRES IMPORTERA - IMPORTIJA AADRESS - IMPORTĚTĀJA ADRESE - IMPORTUOTOJO ADRESAS

ADRESA DOVOZCE - ADRESA IMPORTATORULUI - IMPORTÓR CÍME - ADRESA UVOZNIKA - ÍTHALATÇI ADRESI - ADRESA DOVOZCU

ALTRAD (Group Holding)

125, Rue du Mas Carbonnier, 34000, Montpellier, France

Tel. +33 (0) 4 67 50 53 66 - Email: admin@altrad.com

www.altrad.com