

## Plate Compactor PCLX 12/40E



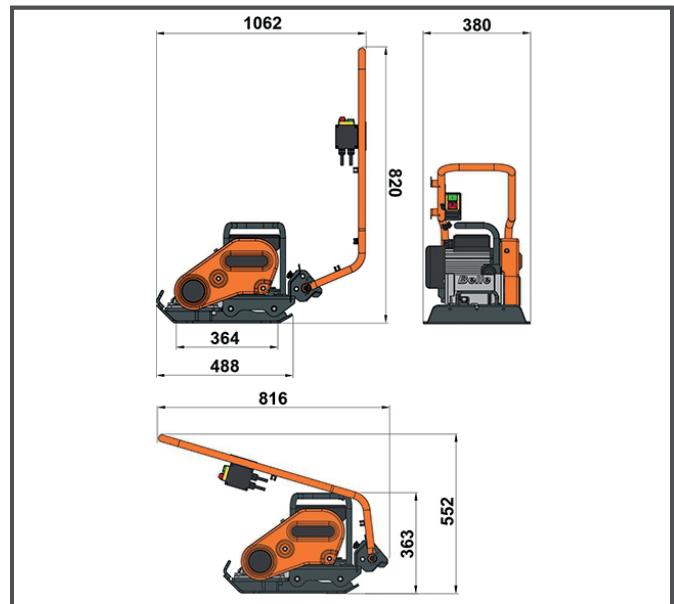
- lightweight, professional, forward-moving plate compactor with electric motor
- no exhaust gases / no emissions - ideal for using in indoors and poorly ventilated areas
- strong & durable 8 mm base plate for optimum compaction
- handle foldable & removable, ideal for transport & storage



# PCLX 12/40E

## Equipment:

- lightweight, professional, forward-moving plate compactor with electric motor
- no exhaust gases/emissions - ideal for using in indoors and in poorly ventilated areas
- strong and durable 8 mm base plate with practical transport handles for optimum compaction and very good travel speed
- strong, oil-filled, 10.5 kN vibratory unit with high-quality bearings for reliability and durability
- comfortable vibration dampers for longer and safe usage time
- foldable & detachable handle - allows a space-saving storage and transport



Comfortable vibration dampers, handle attachment and practical carrying handle.



Compact & manoeuvrable, without exhaust gases - ideal for using in indoors and in poorly ventilated areas.





strong 12 kN vibration unit with sturdy and durable 8 mm thick base plate with carrying handles, for optimal compaction and very good travel speed.

## Rüttelplatte

## PCLX 12/40E

AC-motor	230 V~ 50 Hz
Input power P <sub>i</sub>	2.0 HP / 1.5 kW
Static pressure	388 kg/m <sup>2</sup>
Centrifugal force	12 kN
Travel speed max.	24 m/min
Plate size	488 x 380 mm
Vibration level	3.97 m/sec <sup>2</sup>
Operating time max. (EAV)	190 min
Sound power level L <sub>WA</sub>	104 dB(A)
Weight approx. (N.W.)	50.0 kg
Order-no.	BELCE4009

## Logistic Data

REF	BELCE4009
	816 x 380 x 552 mm + EP
	[PU 1] 50 kg + EP



ALTRAD LESCHA ATIKA GMBH  
 Josef-Drexler-Str. 8 - 89331 Burgau - Germany  
 Tel.: +49 (0) 82 22 / 4130-0 - Fax: +49 (0) 82 22 / 4130-24 - E-mail: info@lescha-atika.de  
[www.lescha-atika.de](http://www.lescha-atika.de)