

CE



Easy Bull Series

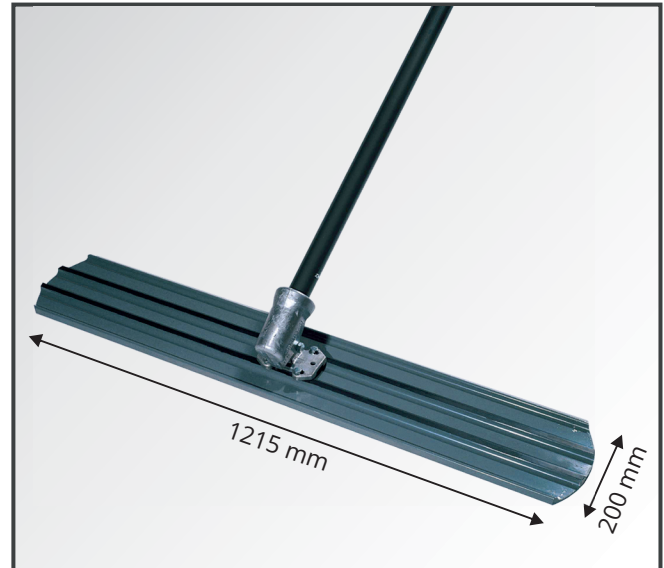
Float Easy Bull

- robust, heavy-duty design for tough site conditions
- lightweight magnesium alloy blade with reinforcement
- rounded corners on float head to reduce track marks when floating
- with tilt joint and long aluminium handle (total length 5.4 m)
- including 3 attachable aluminium handle parts

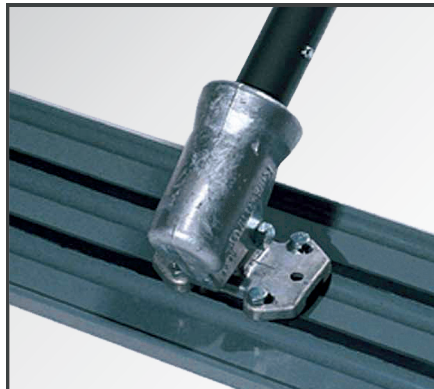


Easy Bull

- robust, heavy-duty design for tough site conditions
- lightweight magnesium alloy blade with reinforcement to prevent warping
- rounded corners on float head to reduce track marks when floating
- with tilt joint and long aluminium handle (total length 5.4 m)
- including 3 attachable aluminium handle parts






Robust, heavy-duty design blade with reinforcement and rounded corners made of lightweight magnesium alloy.



Smooth-running tilt joint.



Easy handling. Includes 3 attachable aluminium handle parts (total length 5.4 m).

Float	Easy Bull	Logistic Data
Dimensions incl. complete handle (L x W x H)	5400 x 1215 x 200 mm	REF BE50901
3 clamp-on handle parts	✓	
Tilt joint	✓	 [PU 1] 9.6 kg
Weight (Blade head with tilt joint)	6.0 kg	 5 031403 134045 0
Weight (Handle)	3.6 kg	
Order-no.	BE50901	