



CE



# MINIPAVE Series

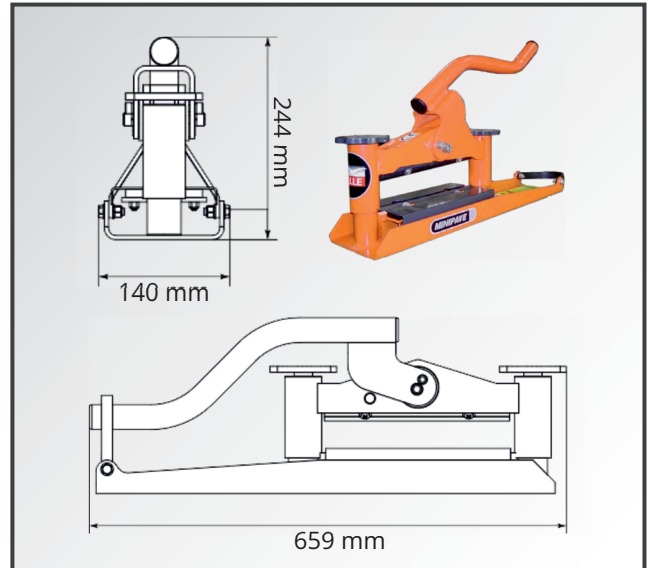
## Block Splitter MINIPAVE

- lightweight but also powerful block paving splitter for all common types of paving stones
- safe and simple operation
- maintenance-free composite bearings & 8 mm strong square blades
- handy and compact - easy to carry & transport, fits into any car boot
- specially designed for paving stones



## MINIPAVE

- lightweight but also powerful block paving splitter for all common types of paving stones
- maintenance-free composite bearings & 8 mm strong square blades for precise splitting with less wastage
- safe, simple and fast operation at floor level - no need to stand up
- handy and compact - easy to carry and transport, fits into any car boot



The 8 mm strong square blades guarantees easy, quick and precise splitting with less wastage.



Handy and compact - easy to carry and transport, fits into any car boot.



Fast, safe and easy work at floor level - standing up is not necessary.

Block Splitter	MINIPAVE	Logistic Data
Splitting force (with 20 kg effort of force)	3200 kg / 31.4 kN	<b>REF</b> BE155.9.000
Blade type (2 pieces)	8 mm square blades	<b>PU</b> 659 x 140 x 244 mm
length	250 mm	<b>W</b> [PU 1] 18 kg
Adjustment screw	Trapezoidal	
screw motion	40 mm	5 031403 1300010
Block depth	min. 47 mm - max. 87 mm	
Splitting length max.	250 mm	
Weight approx.	18 kg	
Order-no.	BE155.9.000	
replacement blades (2 pcs. are needed)	BE155.0.025	