



POWERED by
HONDA™

CE

BUILDING A SUSTAINABLE FUTURE



BMD Series

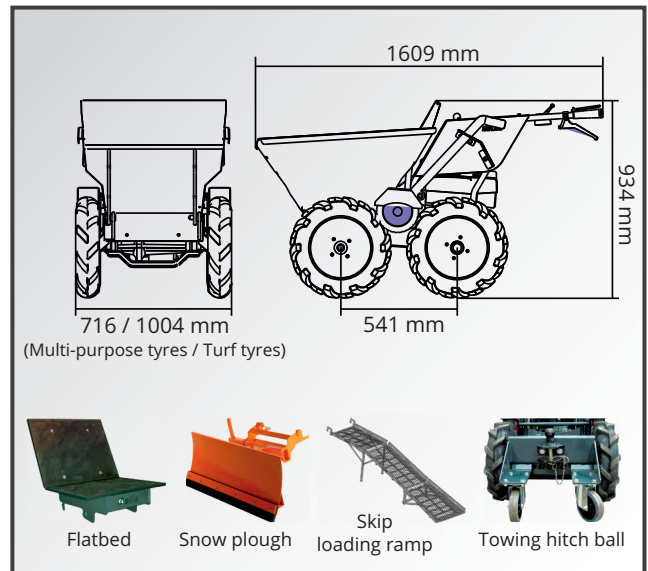
Minidumper BMD 300

- sturdy, hand-guided 4x4 Minidumper with tipping mechanism for payloads up to 300 kg
- with powerful HONDA 4-stroke petrol engine
- high climbing ability as well as two- or all-wheel operation possible
- equipped with four forward gears and one reverse gear as well as disc brakes
- available with narrow multi-purpose tyres or wide turf tyres

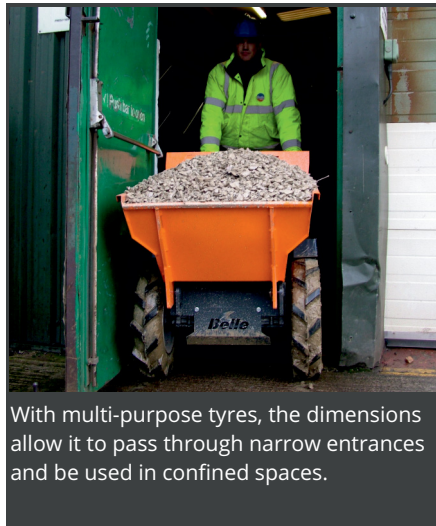
www.lescha-atika.de

BMD 300

- sturdy, hand-guided 4x4 Minidumper with powerful HONDA 4-stroke petrol engine and manual tipping mechanism for payloads up to 300 kg
- four forward gears and one reverse gear as well as two- or all-wheel drive possible
- additional bearings to support axle
- sturdy bottom protection plate to avoid damage by stones
- available with narrow multi-purpose or wide turf tyres
- a wide range of accessories are available:
 - Flatbed BEOPD/01/DIO
 - Snow plough BE11873-0001
 - Skip loading ramp BEOPD/02/DIO
 - Towing hitch ball/eye BEOPD/06/DIO



The lower position of the tipping tray allows effortless and quick tipping, even with a full load - perfectly balanced.



With multi-purpose tyres, the dimensions allow it to pass through narrow entrances and be used in confined spaces.



The wide turf tyres are ideal for soft surfaces such as large gardens, golf courses, soccer pitches, etc.

Minidumper	BMD 300		Logistic Data
Petrol engine	HONDA GXV160		REF BEBMD01
Power	5.5 HP / 4.0 kW		1609 x 716 x 934 mm + EP
Wheels	multi-purpose tyres turf tyres		[PU 1] 155 kg + EP
Load capacity (heaped)	134 litres		5 1031403 1700018
Payload max.	300 kg		REF BEBMD01T
Speed max. (forward / reverse)	6.0 km/h / 2.6 km/h		1609 x 1004 x 934 mm + EP
Uphill gradient max.	20°		[PU 1] 195 kg + EP
Downhill gradient max.	20°		5 1031403 1700087
Dimensions (L x W x H)	1609 x 716 x 934 mm	1609 x 1004 x 934 mm	
Sound power level L _{WA}	101 dB(A)		
Vibration level	6.37 m/sec ²		
switchable all-wheel drive	✓		
Weight approx. (N.W.)	155 kg	195 kg	
Order-no.	BEBMD01	BEBMD01T	