



ATIKA®

Crosscut-/mitre saw **KGSZ 305 N-2**

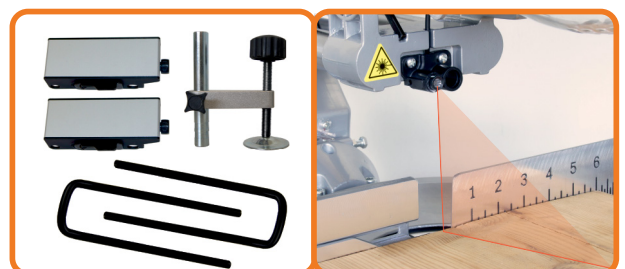
The powerful cross-cut and mitre saw with pull funktion.

With extensive equipment for easy and precise sawing.

Ideal for the ambitious Hobby- user.



also available with frame*



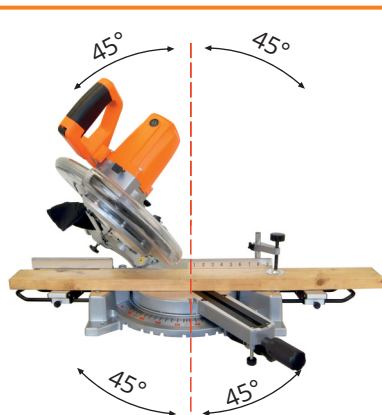
Crosscut-/mitre saw **KGSZ 305 N-2**

The crosscut- an mitre saw with pull function enables precise cutting even of large workpieces.

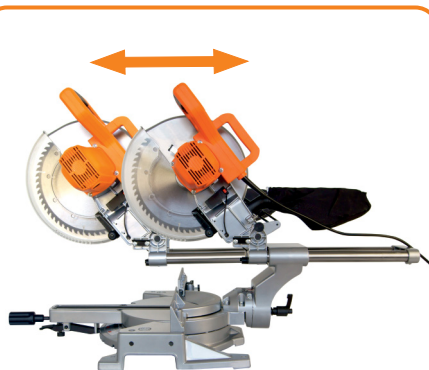
- The rotatable aluminium saw table is equipped with detent functions for frequently used mitre angles, an angle scale and a stable workpiece stop;
- the saw head can be tilted from 0° - 45° to both sides and is secured by the anti-tilt device;
- the rotatable saw table, the infinitely adjustable saw head and the integrated cutting depth adjustment allow mitre and double mitre cuts as well as the production of grooves;
- integrated Laser for precise cut alignment;
- the double-bearing pull function enables cutting widths of up to 310 mm;
- ⊕ **KGSZ 305 N-2 with base frame (302568)*:** with the base frame you can use the saw regardless of location, without an additional work surface;
- ⊕ with workpiece clamp for safer work;
- ⊕ 2 workpieces support, auxiliary stop, dust bag and assembling tools.



inclined adjustabel saw head
rotary saw table



pull function



*302568 with base frame



Crosscut- and mitre saw

KGSZ 305 N-2

Order-No.	302567 / *302568 with base frame
AC-motor	230 V ~ 50 Hz
Power P ₁ (S1)	2000 W
No-load speed n ₀	4800 min ⁻¹
Saw blade (carbide tipped)	Ø 305 x 30 x 3.0 mm - 60 teeth
Mitre angle- left/right	45° - 0° - 45°
Inclined saw head - left/right	45° - 0° - 45° (with tilt protection)
Maximum cross section of the workpiece	
Cross cut (hight x width)	90 - 310 mm
Mitre cut (hight x width)	55 - 210 mm (saw table 45°)
Inclined cut (hight x width)	55 - 310 mm (saw head 45°)
Double mitre-cut (hight x width)	55 - 210 mm (saw tabel/-head 45°)
Dust suction connector	Ø 40 mm
Guaranted sound power level L _{WA}	111.5 dB(A)
Sound pressure level L _{PA}	98.9 dB(A)
Measurement uncertainty K _{LWA/LPA}	3.0 dB(A)
Laser for precise cut alignment	✓
Clamp for work piece, auxiliary stop	✓
Dust bag, assembling tools	✓
Weight	approx. 18.0 kg / 23 kg

Logistic data

	880 x 520 x 470 mm
	approx. 20.0 kg
Article-no.: 302567	
4 004265 025897	
	880 x 520 x 470 mm
	approx. 25.7 kg
Article-no.: 302568	
4 004265 025903	

Technical modifications reserved.



ALTRAD Equipment Germany GmbH
 Josef-Drexler-Str. 8, 89331 Burgau, Germany
 Phone.: +49 (0) 82 22 / 4130-0 - Fax: +49 (0) 82 22 / 4130-24 - E-mail: info@lescha-atika.de
 Internet: www.lescha-atika.de