

CE



PCX Series

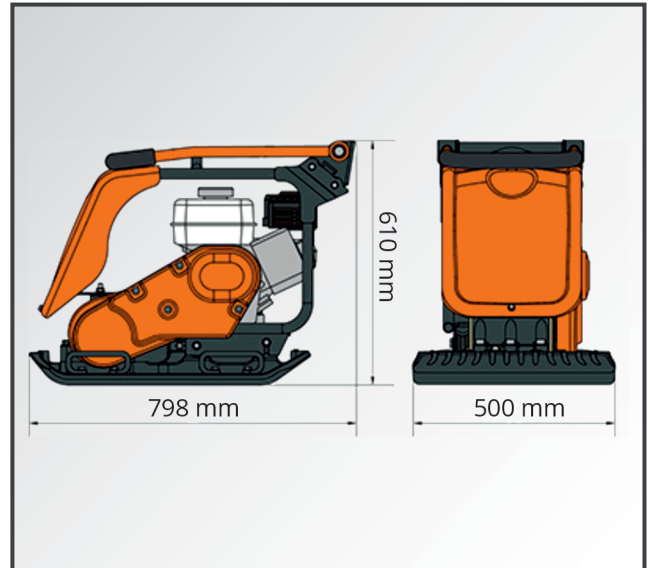
Plate Compactor PCX 500 (D)

- heavyweight, forward-moving plate compactor for maximum compaction
- robust, cast base plate with rounded edges and self-cleaning function
- patented vibration neutralisation of the operating handle
- foldable handle, perfect for transport and storage
- protective frame with lifting bow



PCX 500 (D)

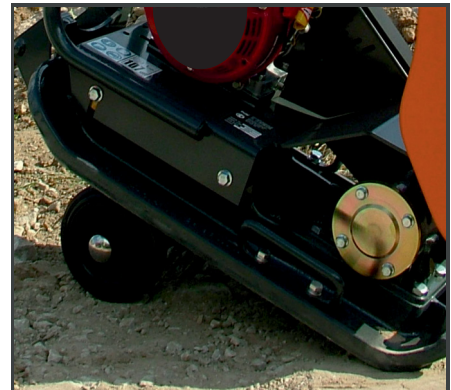
- heavyweight, forward-moving plate compactor with HATZ diesel engine and all-round protective frame with lifting bow
- designed for maximum compaction, ideal for contracting and rental use
- robust, cast base plate with rounded edges and self-cleaning function
- high-frequency vibration unit (16.5 kN at 101 Hz)
- patented vibration neutralisation of the handle for long periods of use of the plate compactor
- foldable handle - can be lowered to work under obstacles and near formwork. In addition it enables space-saving storage as well as transport.
- optionally with water kit (water tank & water spray system)



*optionally with water kit (water tank & water spray system).





Designed for maximum compaction, ideal for contracting and rental use. Very long usage times thanks to low hand-arm vibration.



A foldable chassis for easy transport is also available as an accessory:

Order-no. BEOPP/50/DIO

Plate Compactor	PCX 500 (D)	Logistic Data
Engine	HATZ 1B20	[REF] BEPC5012E
Fuel	Diesel	[Box] 870 x 500 x 675 mm + EP
Power	4.6 HP / 3.5 kW	[PU 1] 114 kg + EP
Static pressure	404 kg/m ²	 5 031403 409539
Centrifugal force / Frequency	16,5 kN at 101 Hz	[REF] BEPC5012EW
Travel speed max.	21 m/min	[Box] 870 x 500 x 675 mm + EP
Plate size	696 x 500 mm	[PU 1] 116 kg + EP
Vibration level	2.64 m/sec ²	 5 031403 409522
Operating time max.	439 min	
Sound power level L _{WA}	107 dB(A)	
Weight approx. (N.W.)	114.0 kg 116.0 kg*	
Order-no.		
without water kit	BEPC5012E	
*with water kit	BEPC5012EW	